



**GRAMMER**

Authorized sales partner for  
Material Handling/  
Construction Equipment



**TMH**®



Catalogue

**GRAMMER SEATS**



-  Most articles stated in this catalogue are available from stock, unless they were sold out after the publication of this catalogue. Contact us if you require a similar article that is not shown in this catalogue: alternatives might be available. TVH is a supplier of spare parts and accessories suitable for OEM-equipment. OEM-references and makes are purely indicative and do not imply that the accessories and/or spare parts originate from the original equipment or parts manufacturer. Please consult our general terms and conditions of sale on [www.tvh.com/avv](http://www.tvh.com/avv).
-   
 De meeste in deze catalogus vermelde artikelen zijn uit voorraad leverbaar, tenzij ze na publicatie van deze catalogus uitverkocht werden. Contacteer ons indien u een gelijkaardig artikel wenst dat niet in deze catalogus is opgenomen: het is mogelijk dat wij ook dit kunnen leveren. TVH is een leverancier van reserveonderdelen en accessoires geschikt voor OEM-uitrusting. OEM-referenties en merken zijn enkel indicatief en betekenen niet dat de accessoires en/of onderdelen afkomstig zijn van de originele toestel- of onderdelenfabrikant. Gelieve onze algemene verkoopsvoorwaarden te consulteren op [www.tvh.com/avv](http://www.tvh.com/avv).
-  La plupart des articles mentionnés dans ce catalogue sont disponibles sauf si épuisement du stock à la publication de ce catalogue. Contactez-nous si vous souhaitez un article similaire qui n'est pas repris dans ce catalogue : il est possible que nous pouvons vous le fournir. TVH est un fournisseur de pièces détachées et d'accessoires adaptables sur des marques constructeurs. Les références et marques constructeurs sont uniquement indicatives et n'impliquent pas que les accessoires et/ou pièces proviennent du fabricant de la machine ou de la pièce d'origine. Veuillez consulter nos conditions générales de vente sur [www.tvh.com/avv](http://www.tvh.com/avv).
-  Die in dieser Liste aufgeführten Artikel sind in der Regel ab Lager lieferbar es sei denn, sie sind nach der Veröffentlichung des vorliegenden Katalogs ausverkauft. Kontaktieren Sie uns wenn Sie einen ähnlichen Artikel benötigen dieser aber nicht im Katalog enthalten ist: Alternativen könnten verfügbar sein. TVH ist Lieferant von Ersatzteilen und Zubehör die für die OEM – Ausstattung geeignet sind. OEM-Referenzen und Marken sind rein Indikativ und bedeuten nicht, dass das Zubehör und/oder Ersatzteile vom Originalgeräte- oder Ersatzteilhersteller sind. Druckfehler vorbehalten. Alle Verkäufe unterliegen den Allgemeinen Geschäftsbedingungen [www.tvh.com/avv](http://www.tvh.com/avv).
-  La mayoría de los artículos que figuran en este catálogo se encuentran en stock, a menos que tras la publicación de este catálogo se hayan agotado. Contacte con nosotros si desea un artículo similar que no se halle en este catálogo : es posible que podamos ofrecerle aquel que usted necesita. TVH es un proveedor de recambios y accesorios adecuados para equipos OEM. Las referencias y marcas OEM mencionadas son meramente indicativas y no implican que los accesorios y / o recambios procedan del fabricante de maquinaria o recambios original. Por favor, consulte nuestras condiciones de venta en [www.tvh.com/avv](http://www.tvh.com/avv).
-  La maggior parte dei ricambi elencati in questo catalogo sono a stock, a meno che dopo la pubblicazione di questo catalogo sono stati venduti. Contattecì se desiderate un articolo simile che non è riportato in questo catalogo: è possibile che possiamo offrire anche questi. TVH è un fornitore di pezzi di ricambio e accessori per OEM, riferimenti OEM e marche sono solo indicativi e non implicano che gli accessori e/o di componenti derivino dal costruttore originale o dal produttore del componente. Si prega di consultare i nostri termini di vendita su [www.tvh.com/avv](http://www.tvh.com/avv).
-  Części z tego katalogu są zazwyczaj na stanie magazynowym. Również części które nie są wyszczególnione w katalogu mogą być dostarczone na zamówienie w najkrótszym możliwym terminie. Opis części O.E.M. jest używany informacyjnie i nie wskazuje na to, że dany produkt jest wyprodukowany przez podanego producenta. Zawartość katalogu może ulec zmianie bez wcześniejszego informowania o tym. Wszystkie użyte zdjęcia, rysunki, nazwy marek, opis i numery służą tylko do identyfikacji.
-  Запчасти из настоящего списка, как правило, имеются в запасе, если только он не распродан. Прочие, не фигурирующие в списке артикулы, могут быть поставлены в самые кратчайшие сроки. Указание оригинальных номеров производителя не предполагает обязательного оригинального происхождения самих деталей. Данный список может изменяться без предварительного уведомления. Все использованные фото, рисунки, иллюстрации, названия брендов, наименования и номера служат исключительно для цели идентификации.





<b>ABOUT TVH</b> .....	<b>I</b>
<b>FORKLIFT SEATS</b> .....	<b>1</b>
<b>Product line MAXIMO</b> .....	<b>2</b>
· MAXIMO XXL (MSG 95AL/731, MSG95A/731) .....	2
· MAXIMO L (MSG 95A/721 12 V) .....	3
· MAXIMO M (MSG 85/721) .....	4
<b>Product line MSG 20</b> .....	<b>5</b>
· MSG 20 .....	5
· MSG 20 narrow .....	6
<b>Product line B 12</b> .....	<b>7</b>
· B 12 .....	7
<b>Product line PRIMO</b> .....	<b>8</b>
· XXL PRIMO (MSG75G/522) .....	8
· PRIMO XL (MSG75G(L)/521) .....	9
· PRIMO L (MSG75G/521) .....	10
· PRIMO XXM (MSG65/522) .....	11
· PRIMO XM (MSG65/521) .....	12
· PRIMO M (MSG65/521) .....	13
<b>CONSTRUCTION SEATS</b> .....	<b>15</b>
<b>Product line ACTIMO</b> .....	<b>16</b>
· ACTIMO Evolution (MSG 95EL/742, /722) .....	16
· ACTIMO XL (MSG 95A/722) .....	17
· ACTIMO XXL (MSG 97AL/722) .....	18
· ACTIMO XL with control carrier (MSG 95A/722 24 V) .....	19
· ACTIMO M (MSG 85/722) .....	20
· ACTIMO M with control carrier (MSG 85/722) .....	21
<b>Seat shells</b> .....	<b>22</b>
· Seat shell S 44 .....	22
· Seat shell S 38 .....	22

<b>OVER TVH</b> .....	<b>I</b>
<b>HEFTRUCKZETELS</b> .....	<b>1</b>
<b>Productlijn MAXIMO</b> .....	<b>2</b>
· MAXIMO XXL (MSG 95AL/731, MSG95A/731) .....	2
· MAXIMO L (MSG 95A/721 12 V) .....	3
· MAXIMO M (MSG 85/721) .....	4
<b>Productlijn MSG 20</b> .....	<b>5</b>
· MSG 20 .....	5
· MSG 20 smalle uitvoering .....	6
<b>Productlijn B 12</b> .....	<b>7</b>
· B 12 .....	7
<b>Productlijn PRIMO</b> .....	<b>8</b>
· XXL PRIMO (MSG75G/522) .....	8
· PRIMO XL (MSG75G(L)/521) .....	9
· PRIMO L (MSG75G/521) .....	10
· PRIMO XXM (MSG65/522) .....	11
· PRIMO XM (MSG65/521) .....	12
· PRIMO M (MSG65/521) .....	13
<b>CONSTRUCTIEZETELS</b> .....	<b>15</b>
<b>Productlijn ACTIMO</b> .....	<b>16</b>
· ACTIMO Evolution (MSG 95EL/742, /722) .....	16
· ACTIMO XL (MSG 95A/722) .....	17
· ACTIMO XXL (MSG 97AL/722) .....	18
· ACTIMO XL met besturingsconsole (MSG 95A/722 24 V) .....	19
· ACTIMO M (MSG 85/722) .....	20
· ACTIMO M met besturingsconsole (MSG 85/722) .....	21
<b>Zetelpannen</b> .....	<b>22</b>
· Zetelpan S 44 .....	22
· Zetelpan S 38 .....	22



<b>À PROPOS DE TVH</b> .....	<b>1</b>
<b>SIÈGES POUR CHARIOTS ÉLÉVATEURS</b> .....	<b>1</b>
<b>Ligne de produits MAXIMO</b> .....	<b>2</b>
· MAXIMO XXL (MSG 95AL/731, MSG95A/731) .....	2
· MAXIMO L (MSG 95A/721 12 V) .....	3
· MAXIMO M (MSG 85/721) .....	4
<b>Ligne de produits MSG 20</b> .....	<b>5</b>
· MSG 20 .....	5
· MSG 20 version étroite .....	6
<b>Ligne de produits B 12</b> .....	<b>7</b>
· B 12 .....	7
<b>Ligne de produits PRIMO</b> .....	<b>8</b>
· XXL PRIMO (MSG75G/522) .....	8
· PRIMO XL (MSG75G(L)/521) .....	9
· PRIMO L (MSG75G/521) .....	10
· PRIMO XXM (MSG65/522) .....	11
· PRIMO XM (MSG65/521) .....	12
· PRIMO M (MSG65/521) .....	13
<b>SIÈGES DE CONSTRUCTION</b> .....	<b>15</b>
<b>Ligne de produits ACTIMO</b> .....	<b>16</b>
· ACTIMO Evolution (MSG 95EL/742, /722) .....	16
· ACTIMO XL (MSG 95A/722) .....	17
· ACTIMO XXL (MSG 97AL/722) .....	18
· ACTIMO XL avec poste de commande (MSG 95A/722 24 V) .....	19
· ACTIMO M (MSG 85/722) .....	20
· ACTIMO M avec poste de commande (MSG 85/722) .....	21
<b>Baquets de siège</b> .....	<b>22</b>
· Baquet de siège S 44 .....	22
· Baquet de siège S 38 .....	22

<b>ÜBER TVH</b> .....	<b>1</b>
<b>GABELSTAPLER SITZE</b> .....	<b>1</b>
<b>Produktreihe MAXIMO</b> .....	<b>2</b>
· MAXIMO XXL (MSG 95AL/731, MSG95A/731) .....	2
· MAXIMO L (MSG 95A/721 12 V) .....	3
· MAXIMO M (MSG 85/721) .....	4
<b>Produktreihe MSG 20</b> .....	<b>5</b>
· MSG 20 .....	5
· MSG 20 narrow (schmal) .....	6
<b>Produktreihe B 12</b> .....	<b>7</b>
· B 12 .....	7
<b>Produktreihe PRIMO</b> .....	<b>8</b>
· XXL PRIMO (MSG75G/522) .....	8
· PRIMO XL (MSG75G(L)/521) .....	9
· PRIMO L (MSG75G/521) .....	10
· PRIMO XXM (MSG65/522) .....	11
· PRIMO XM (MSG65/521) .....	12
· PRIMO M (MSG65/521) .....	13
<b>BAUMASCHINEN SITZE</b> .....	<b>15</b>
<b>Produktreihe ACTIMO</b> .....	<b>16</b>
· ACTIMO Evolution (MSG 95EL/742, /722) .....	16
· ACTIMO XL (MSG 95A/722) .....	17
· ACTIMO XXL (MSG 97AL/722) .....	18
· ACTIMO XL mit Steuerhebelträger (MSG 95A/722 24 V) .....	19
· ACTIMO M (MSG 85/722) .....	20
· ACTIMO M mit Steuerhebelträger (MSG 85/722) .....	21
<b>Sitzschalen</b> .....	<b>22</b>
· Sitzschale S 44 .....	22
· Sitzschale S 38 .....	22



## **SOBRE TVH ..... I**

### **ASIENTOS PARA CARRETILLAS ELEVADORAS 1**

#### **Línea de producto MAXIMO ..... 2**

- MAXIMO XXL (MSG 95AL/731, MSG95A/731) ..... 2
- MAXIMO L (MSG 95A/721 12 V) ..... 3
- MAXIMO M (MSG 85/721) ..... 4

#### **Línea de producto MSG 20 ..... 5**

- MSG 20 ..... 5
- MSG 20 narrow ..... 6

#### **Línea de producto B 12 ..... 7**

- B 12 ..... 7

#### **Línea de producto PRIMO ..... 8**

- XXL PRIMO (MSG75G/522) ..... 8
- PRIMO XL (MSG75G(L)/521) ..... 9
- PRIMO L (MSG75G/521) ..... 10
- PRIMO XXM (MSG65/522) ..... 11
- PRIMO XM (MSG65/521) ..... 12
- PRIMO M (MSG65/521) ..... 13

### **ASIENTOS PARA CONSTRUCCIÓN ..... 15**

#### **Línea de producto ACTIMO ..... 16**

- ACTIMO Evolution (MSG 95EL/742, /722) ..... 16
- ACTIMO XL (MSG 95A/722) ..... 17
- ACTIMO XXL (MSG 97AL/722) ..... 18
- ACTIMO XL con mando de control (MSG 95A/722 24 V) .. 19
- ACTIMO M (MSG 85/722) ..... 20
- ACTIMO M con mando de control (MSG 85/722) ..... 21

#### **Cuerpo de asiento ..... 22**

- Cuerpo de asiento S 44 ..... 22
- Cuerpo de asiento S 38 ..... 22

## **SOBRE TVH ..... I**

### **BANCOS PARA EMPILHADORES ..... 1**

#### **Linha de produto MAXIMO ..... 2**

- MAXIMO XXL (MSG 95AL/731, MSG95A/731) ..... 2
- MAXIMO L (MSG 95A/721 12 V) ..... 3
- MAXIMO M (MSG 85/721) ..... 4

#### **Linha de produto MSG 20 ..... 5**

- MSG 20 ..... 5
- MSG 20 narrow ..... 6

#### **Linha de produto B 12 ..... 7**

- B 12 ..... 7

#### **Linha de produto PRIMO ..... 8**

- XXL PRIMO (MSG75G/522) ..... 8
- PRIMO XL (MSG75G(L)/521) ..... 9
- PRIMO L (MSG75G/521) ..... 10
- PRIMO XXM (MSG65/522) ..... 11
- PRIMO XM (MSG65/521) ..... 12
- PRIMO M (MSG65/521) ..... 13

### **ASSENTOS DE CONSTRUÇÃO ..... 15**

#### **Linha de produto ACTIMO ..... 16**

- ACTIMO Evolution (MSG 95EL/742, /722) ..... 16
- ACTIMO XL (MSG 95A/722) ..... 17
- ACTIMO XXL (MSG 97AL/722) ..... 18
- ACTIMO XL com compartimento de controle (MSG 95A/722 24 V) ..... 19
- ACTIMO M (MSG 85/722) ..... 20
- ACTIMO M com compartimento de controle (MSG 85/722) ..... 21

#### **Conchas de bancos ..... 22**

- Concha de banco S 44 ..... 22
- Concha de banco S 38 ..... 22



<b>CIRCA TVH</b> .....	<b>1</b>
<b>SEDILI PER CARRELLI ELEVATORI</b> .....	<b>1</b>
<b>Linea prodotto MAXIMO</b> .....	<b>2</b>
· MAXIMO XXL (MSG 95AL/731, MSG95A/731) .....	2
· MAXIMO L (MSG 95A/721 12 V) .....	3
· MAXIMO M (MSG 85/721) .....	4
<b>Linea prodotto MSG 20</b> .....	<b>5</b>
· MSG 20 .....	5
· MSG 20 stretto .....	6
<b>Linea prodotto B 12</b> .....	<b>7</b>
· B 12 .....	7
<b>Linea prodotto PRIMO</b> .....	<b>8</b>
· XXL PRIMO (MSG75G/522) .....	8
· PRIMO XL (MSG75G(L)/521) .....	9
· PRIMO L (MSG75G/521) .....	10
· PRIMO XXM (MSG65/522) .....	11
· PRIMO XM (MSG65/521) .....	12
· PRIMO M (MSG65/521) .....	13
<b>SEDILI PER COSTRUZIONI</b> .....	<b>15</b>
<b>Linea prodotto ACTIMO</b> .....	<b>16</b>
· ACTIMO Evolution (MSG 95EL/742, /722) .....	16
· ACTIMO XL (MSG 95A/722) .....	17
· ACTIMO XXL (MSG 97AL/722) .....	18
· ACTIMO XL con consolle comandi (MSG 95A/722 24 V) ..	19
· ACTIMO M (MSG 85/722) .....	20
· ACTIMO M con consolle comandi (MSG 85/722) .....	21
<b>Sedute</b> .....	<b>22</b>
· Seduta S 44 .....	22
· Seduta S 38 .....	22

<b>INFORMACJE O TVH</b> .....	<b>1</b>
<b>FOTELE DO WÓZKÓW WODŁOWYCH</b> .....	<b>1</b>
<b>Linea MAXIMO</b> .....	<b>2</b>
· MAXIMO XXL (MSG 95AL/731, MSG95A/731) .....	2
· MAXIMO L (MSG 95A/721 12 V) .....	3
· MAXIMO M (MSG 85/721) .....	4
<b>Linea MSG 20</b> .....	<b>5</b>
· MSG 20 .....	5
· MSG 20 narrow .....	6
<b>Linea B 12</b> .....	<b>7</b>
· B 12 .....	7
<b>Linea PRIMO</b> .....	<b>8</b>
· XXL PRIMO (MSG75G/522) .....	8
· PRIMO XL (MSG75G(L)/521) .....	9
· PRIMO L (MSG75G/521) .....	10
· PRIMO XXM (MSG65/522) .....	11
· PRIMO XM (MSG65/521) .....	12
· PRIMO M (MSG65/521) .....	13
<b>FOTELE DO MASZYN BUDOWLANYCH</b> .....	<b>15</b>
<b>Linea ACTIMO</b> .....	<b>16</b>
· ACTIMO Evolution (MSG 95EL/742, /722) .....	16
· ACTIMO XL (MSG 95A/722) .....	17
· ACTIMO XXL (MSG 97AL/722) .....	18
· ACTIMO XL z przystawkami do joysticków (MSG 95A/722 24 V) .....	19
· ACTIMO M (MSG 85/722) .....	20
· ACTIMO M z przystawkami do joysticków (MSG 85/722) .	21
<b>Siedziska</b> .....	<b>22</b>
· Siedzisko S 44 .....	22
· Siedzisko S 38 .....	22



<b>ПРЕДСТАВЛЕНИЕ TVH</b> .....	<b>1</b>
<b>СИДЕНЬЯ К ПОГРУЗЧИКАМ</b> .....	<b>1</b>
<b>Ассортимент продукции MAXIMO</b> .....	<b>2</b>
· MAXIMO XXL (MSG 95AL/731, MSG95A/731) .....	2
· MAXIMO L (MSG 95A/721 12 V) .....	3
· MAXIMO M (MSG 85/721) .....	4
<b>Ассортимент продукции MSG 20</b> .....	<b>5</b>
· MSG 20 .....	5
· MSG 20 narrow .....	6
<b>Ассортимент продукции B 12</b> .....	<b>7</b>
· B 12 .....	7
<b>Ассортимент продукции PRIMO</b> .....	<b>8</b>
· XXL PRIMO (MSG75G/522) .....	8
· PRIMO XL (MSG75G(L)/521) .....	9
· PRIMO L (MSG75G/521) .....	10
· PRIMO XXM (MSG65/522) .....	11
· PRIMO XM (MSG65/521) .....	12
· PRIMO M (MSG65/521) .....	13
<b>СИДЕНЬЯ ДЛЯ СТРОИТЕЛЬНЫХ МАШИН</b> .....	<b>15</b>
<b>Ассортимент продукции АСТИМО</b> .....	<b>16</b>
· АСТИМО Evolution (MSG 95EL/742, /722) .....	16
· АСТИМО XL (MSG 95A/722) .....	17
· АСТИМО XXL (MSG 97AL/722) .....	18
· АСТИМО XL с управляющим механизмом (MSG 95A/722 24 V) .....	19
· АСТИМО M (MSG 85/722) .....	20
· АСТИМО M с управляющим механизмом (MSG 85/722) .....	21
<b>Обшивка сидений</b> .....	<b>22</b>
· Обшивка для S 44 .....	22
· Обшивка для S 38 .....	22



## ***TVH IS OFFICIAL GRAMMER MATERIAL HANDLING PARTNER***

TVH offers the extensive range of seats & accessories of GRAMMER Material handling.

### **Why choose for GRAMMER?**

- Global market leader and trendsetter for off-road seating
- Global partner to the vehicle manufacturing industry and represented around the world
- Constantly engaged in the development and production of innovative, flexible solutions to meet challenges in today's competitive global market
- Produces products with superior quality, safety, ergonomics, comfort and value for the users





## TVH HISTORY



Dear customer,

More than 45 years ago, in 1969, the success story of TVH began. Mr Paul Vanhalst and Mr Paul Thermote, neighbours and school friends, joined forces and started with the purchase and repair of agricultural machines and used lift trucks.

Increasing industrialisation led to a growing need for lift trucks and lift truck parts. Slowly but surely, TVH was growing into a global player, thanks to the success of the product and customer service, but also thanks to acquisitions.

After all these years, the business is still in family hands and has grown from 2 founders, to a workforce of almost 4000 employees worldwide, in 5 continents. The day-to-day management has now been handed over to the second generation.

TVH has two business units: Parts & Accessories (TVH Parts NV) and Equipment (TVH Equipment NV). TVH Equipment is a specialist in second-hand lift trucks and aerial work platforms.

TVH Parts is your all-round supplier of quality parts and accessories for material handling, industrial vehicles and agricultural equipment.

You get fast answers on any offer, order or technical question from our dedicated sales and technical departments. We continually expand our product range by following new trends and looking for new partnerships, to make sure you will find absolutely everything you need right here at TVH.

*The Thermote & Vanhalst families*



Watch our company movie.



## ALL PARTS, ALL MAKES



## All parts, all makes

### TVHPARTS

- More than 100 000 m<sup>2</sup> of warehousing
- Computer-controlled stock management
- More than 600 000 stock items
- More than 21 000 000 known references
- Technically-skilled employees
- Assistance in 32 languages
- Same-day shipment, next-day delivery
- One-stop shop
- Webshop & online support



## STRONG BRANDS, GUARANTEED QUALITY

Every day, reliable products and services contribute to the success of your company. That is why our product range consists of qualitative top brands.

Read all about this under 'Product range' on [www.tvh.com](http://www.tvh.com)



This is only a selection of brands we can offer. Exceptions apply to certain products/countries.



## HYDRAULIC AND MECHANICAL ATTACHMENTS

Benefit from over 50 years of experience in design and production with CAM System® attachments. The full range of mechanical and hydraulic attachments is recognised for its high qualitative standards and reliability: sidershifters, (multi-)fork positioners, rotators, box rotators, bale clamps, appliance clamps, concrete block clamps, push-pulls ...

Order your catalogue with prices to get an overview of this product range. Find our product leaflets and product movies on [www.camsystem.com](http://www.camsystem.com). In addition to complete attachments, we also offer replacement parts.



REF 24891677



## SWEEPERS

Sweep your way through dust and dirt!

We offer a complete range of mechanical and hydraulic sweeper attachments.



**SmartSweep®**

**HydroSweep®**

**MaxiSweep®**

**MagneticSweep®**

**LazySweep®**

## INTERNAL TRANSPORT EQUIPMENT & WAREHOUSE ACCESSORIES



Discover our complete range of internal transport equipment as well as warehouse and workshop accessories in the 'Attachments & handling equipment' catalogue.

Order your copy using **REF 29228025** or download the catalogue via our website: [www.tvh.com](http://www.tvh.com)



**TOTAL LIFTER®**

**Climax**

**TOTAL SOURCE®**



## CATALOGUES



Our catalogues give you information about the product groups, brands and makes in our range. The extensive and detailed information contains general product info, pictures, dimensions.

- REF 21713862 Consumables & accessories
- REF 29193029 Attachments & handling equipment
- REF 25564923 Batteries, chargers & accessories
- REF 20177702 Brushes
- REF 21497415 Bulbs
- REF 15282597 Chains & accessories
- REF 10185471 Contactors & contacts
- REF 21178582 Electronic accessories
- REF 20777844 Energic plus
- REF 20177485 Engine parts
- REF 10727802 Exhaust systems
- REF 29793487 Fluke
- REF 20177906 Fuses & fuse holders
- REF 29127398 Grammer seats
- REF 10550844 Hand pallet truck parts
- REF 14702080 Hydraulic system parts
- REF 19949421 Key switches
- REF 12594102 Labels & decals
- REF 22802499 LPG system parts
- REF 7872482 Mast rollers
- REF 26501928 Paint & accessories
- REF 7835233 Potentiometers & encoders
- REF 7083552 Relays
- REF 12726578 Replacement parts for Genie
- REF 15069637 Replacement parts for Haulotte
- REF 12613028 Replacement parts for JLG
- REF 20769251 Replacement parts for scrubbers & sweepers
- REF 24154086 Replacement parts for tail lifts
- REF 13991397 Seats & accessories
- REF 6252659 Starters & alternators
- REF 28667085@ Tracks & undercarriage parts
- REF 24337660 Tyres, rims & accessories
- REF 7072186 Wheel brake & master cylinders
- REF 6781097 Wheels, rollers & castors
- Range of filters available in MyProductSearch & MyPartsFinder

## PRODUCT SPECIALS



We gladly keep you informed of our extensive product range. In addition to our catalogues we present you our 'product specials': useful brochures that will guide you within specific product categories.

- REF 27903004 Air conditioning
- REF 17857457 Beta, quality tools & workwear
- REF 14372877 Document & accessories holders
- REF 21735662 Drum handling & accessories
- REF 22835159 Force professional tools
- REF 24010825 Forks & accessories
- REF 21720627 Hardware special
- REF 21713854 Hydraulic power units
- REF 18178749 Jacks & supports
- REF 22775197 LED lights
- REF 21841408 Lubrication & accessories
- REF 20382686 Maintenance special
- REF 20778928 Mirrors
- REF 23942036 Oils & greases
- REF 17868205 Press special
- REF 18666614 Safety & ergonomics special
- REF 28975226 Safety equipment for aerial work platforms
- REF 24261715 Seats & accessories
- REF 20963014 Skips, scoops & crane jibs
- REF 27693679 Summertime special
- REF 19550195 Twistlocks special
- REF 18329658 Weighing special
- REF 21497051 Windshields & glazing
- REF 28809094 Winter products



## MYTOTALSOURCE

Visit our webshop  
where and when  
you want.

Forwarding price inquiries and orders is fast, easy and only one click away. 24/7 available.



### Receive your complete offer immediately

Use a TVH or OEM number to get price and availability. Even the reference on the part itself is often recognized in MyTotalSource.

### Place your order in just a few clicks

#### 4 easy steps to send your order:

1. Create your order basket
2. Change your order
3. View your order
4. Confirm your order

### Search online

- You have **machine or equipment details?**  
Use **MyPartsFinder** to find the spare part you need.
- You have the **technical details or specifications of a part?**  
Use **MyProductSearch** to find the spare part you need.
- Use our online **catalogues**.
- **Haven't found the reference you were looking for?**  
Fill out the technical sheet you can find in MyTotalSource ('Info & Promotions') or in this catalogue.
- **MyTVHLink:** work more efficiently by making an EDI-connection between your company software and TVH

[mytotalsource.tvh.com](http://mytotalsource.tvh.com)



#### MyTotalSource app: place orders via your smartphone or table

The MyTotalSource app offers you the possibility to request offers, place orders, manage lists and scan bar codes of references from your smartphone.

#### How it works:

1. Download the MyTotalSource app, available for Android or iOS.
2. Log on to the mobile MyTotalSource app with your MyTotalSource login details.
3. Discover all the possibilities.

#### "Scan to order" system.

Scan the bar code with your smartphone or bluetooth scanner and get a price and availability to complete your offer/order.

If you have any questions, call or mail our help desk for free support: **T +32 56 43 48 66 · [ecommerce@tvh.com](mailto:ecommerce@tvh.com)**

**Request your login details now and benefit from the many advantages that MyTotalSource offers!**



## ELECTRONIC PARTS

Our range includes printed circuit boards, electronic speed controllers, displays, chargers, contactors, joysticks, accelerators and directional switches.

Our electronics department is Europe's largest, best equipped and most diverse service centre for the repair of electronic parts for forklifts, aerial work platforms and industrial vehicles.



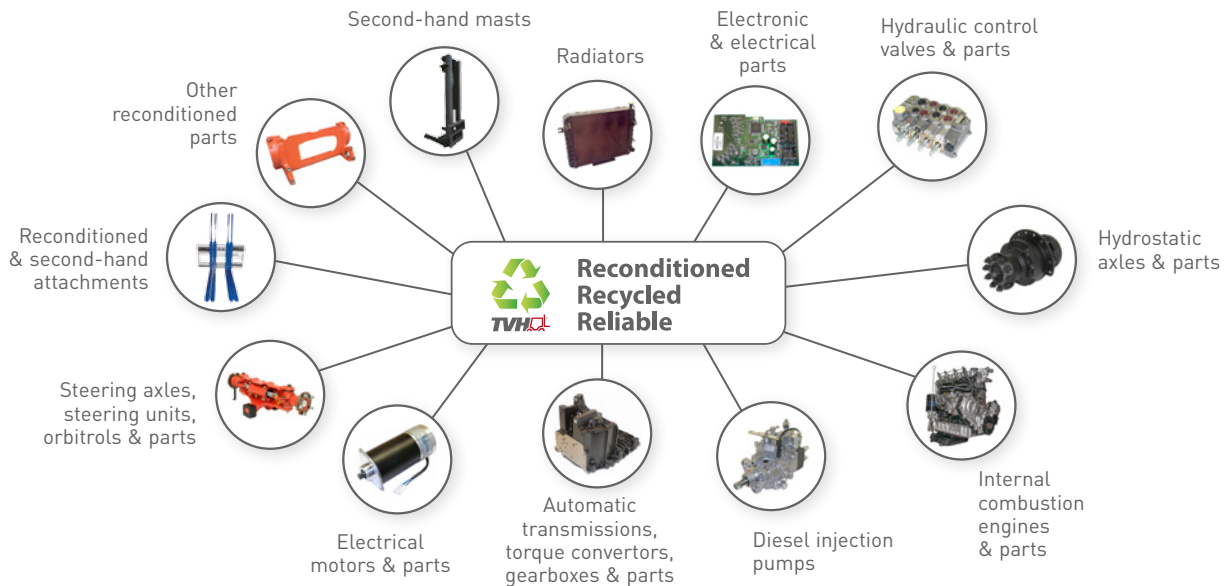
**TOTAL SOURCE**



Find out more about our electronics department in our brochure (REF 20207048) or go to downloads on [www.tvh.com](http://www.tvh.com) to watch the movie.



## RECONDITIONED PARTS



We offer you a unique range of reconditioned parts, at the best price. Reconditioned parts are sold with the same warranty as for a new part, at a price that can be up to 50% cheaper!

Electric motors, internal combustion engines, printboards, hydraulic pumps, transmissions, torque converters, radiators, steering axles, starters, alternators ... everything is in stock! TVH has invested in a wide range of test devices which allow us to pass stringent quality controls on various spare parts. The tests are designed in such a manner that a realistic work situation is generated during the tests.

Buying one of our reconditioned parts is the perfect alternative to buying a new spare part. Ask for the availability and the conditions! You can buy a reconditioned part with or without the return of an old unit (service exchange parts).



Find out more about our reconditioned parts in our brochure (REF 29127412) or go to downloads on [www.tvh.com](http://www.tvh.com) to watch the movie.



## TVH-BAY



TVH's online outlet shop with more than 1000 new and second-hand products at rock-bottom prices! Available in 16 languages.

### The online shop to pick up real bargains

- Rock-bottom prices for a limited offer of hard-to-find parts and accessories
- A list of products per brand or product category
- A wide range of parts and accessories for lift trucks, handling equipment and related products
- All parts are available off the shelf, and can therefore be delivered quickly
- Frequently updated with new references

Go to [www.tvh.com/tvhbay](http://www.tvh.com/tvhbay)

## SECOND-HAND ATTACHMENTS



More than 500 products in stock

TVH likes to invest in durability and pursues this as much as possible in its products. The range of second-hand attachments in original or completely revised condition is very extensive and varied: rotators, fork positioners, carpet booms, bale clamps, paper roll clamps ...

We have second-hand attachments in our range for Bolzoni, CAM System, Cascade, Kaup, Kooi, Meyer ...

Discover our full range on [www.tvh.com/tvhbay](http://www.tvh.com/tvhbay)



## SECOND-HAND EQUIPMENT



- Specialist in lift trucks and aerial work platforms with a permanent stock of 1500 lift trucks and 250 aerial work platforms
- Telehandlers and all-terrain trucks
- Masts and attachments

Find a daily updated stock list on our search engine [myequipmentfinder.tvh.com](http://myequipmentfinder.tvh.com)



## ELECTRIC WAREHOUSING

Electric pallet trucks (from 1,5-2 t) and stackers (from 1-1,6 t)



Brochure  
Climax  
**REF 27617387**

# Climax

[www.climaxhandling.com](http://www.climaxhandling.com)

info@climaxhandling.com · T +32 56 43 41 19







1

# FORKLIFT SEATS

## Product line MAXIMO

The class MAXIMO-forklift is constructed for big forklift trucks and wheel loaders. The plurality of the added features will convince you. **Working always means sitting.**

### MAXIMO XXL (MSG 95AL/731, MSG95A/731)

**Air-suspended super comfort seat** with low-frequency suspension, pneumatic lumbar support, adjustable shock absorber for vertical suspension, horizontal suspension, seat cushion depth and angle adjustment, automatic weight adjustment (50-130 kg), stepless height adjustment, wide seat cushion, APS: automatic position system, GRAMMER passive climate system, integral backrest extension, operator restraint system, seat switch.

**REF 145TA2704\***

- Fabric (blue-black)
- Air suspension with compressor 12 V
- GRAMMER climate system

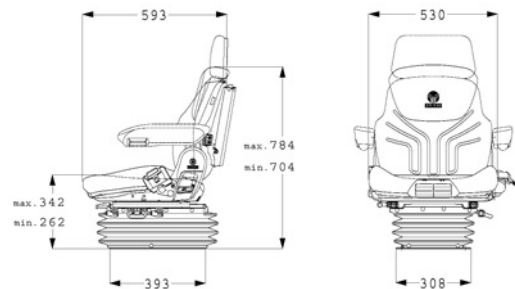
**Optional features:**

- REF 141TA4918** – Armrest (65 x 270 mm), height adjustable, folding, left
- REF 141TA4917** – Armrest (65 x 270 mm), height adjustable, folding, right
- REF 141TA4916** – Armrest long (80 x 380 mm), angle adjustable, left
- REF 141TA4915** – Armrest long (80 x 380 mm), angle adjustable, right
- REF 141TA4914** – right
- REF 141TA4913** – Cushion kit, imitation leather, black
- REF 147TA3463** – Document holder
- REF 141TA4920** – Seat heating cushion kit, 12 V, fabric (blue-black)
- Seat heating cushion kit, 12 V, PVC (black)

**Replacement parts:**

- REF 145TA2632** – Backrest, fabric (blue-black)
- REF 141TA5247** – Backrest, PVC
- REF 145TA2633** – Backrest extension, fabric (blue-black)
- REF 128TA4164** – Integral backrest extension, PVC (leather, black), height adjustable
- REF 140TA1739** – Seat cushion, PVC

\* 24 V optional configuration



## MAXIMO L (MSG 95A/721 12 V)

**Air-suspended comfort seat** with mechanical lumbar support, backrest angle adjustment, APS: automatic position system, horizontal suspension, automatic weight adjustment (50-130 kg), stepless height adjustment up to 60 mm, operator restraint system, seat switch.

### REF [145TA2638\\*](#)

- Fabric (blue-black)
- Air suspension with compressor 12 V

### REF [139TA6027\\*](#)

- PVC (imitation leather, black)
- Air suspension with compressor 12 V

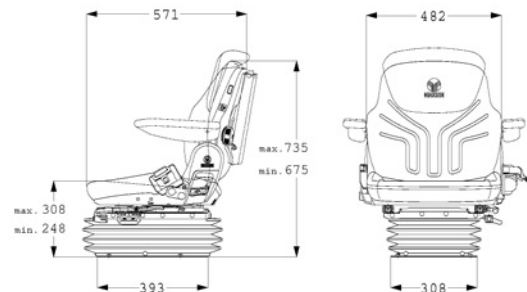
### Optional features:

- REF [141TA4918](#) – Armrest (65 x 270 mm), height adjustable, folding, left
- REF [141TA4917](#) – Armrest (65 x 270 mm), height adjustable, folding, right
- REF [141TA4916](#) – Armrest long (80 x 380 mm), angle adjustable, left
- REF [141TA4915](#) – Armrest long (80 x 380 mm), angle adjustable, right
- REF [141TA4913](#) – Document holder
- REF [145TA2639](#) – Seat heating cushion kit, 12 V, fabric (blue-black)
- REF [141TA4925](#) – Seat heating cushion kit, 12 V, PVC (black)

### Replacement parts:

- REF [145TA2632](#) – Backrest, fabric (blue-black)
- REF [110TA8722](#) – Backrest, PVC
- REF [145TA2633](#) – Backrest extension, fabric (blue-black)
- REF [128TA4164](#) – Backrest extension, PVC (black), height adjustable
- REF [145TA2631](#) – Seat cushion, fabric (blue-black)
- REF [110TA8720](#) – Seat cushion, PVC

\* 24 V optional configuration



## MAXIMO M (MSG 85/721)

**Mechanically suspended comfort seat** with lumbar support, weight and height adjustable, narrow seat cushion, backrest angle adjustment, operator restraint system, seat switch.

**REF [141TA4928](#)**

PVC (imitation leather, black)

**REF [145TA2630](#)**

Fabric (matrix, grey-black)

**Optional features:**

**REF [141TA4918](#)** – Armrest (65 x 270 mm, height adjustable, folding, left

**REF [141TA4917](#)** – Armrest (65 x 270 mm), height adjustable, folding, right

**REF [141TA4916](#)** – Armrest long (80 x 380 mm), angle adjustable, left

**REF [141TA4915](#)** – Armrest long (80 x 380 mm), angle adjustable, right

**REF [145TA2633](#)** – Backrest extension, fabric (blue-black)

**REF [128TA4164](#)** – Backrest extension, PVC (imitation leather), height adjustable

**REF [141TA4913](#)** – Document holder

**REF [145TA2634](#)** – Seat heating cushion kit, 12 V, fabric (blue-black)

**REF [141TA4930](#)** – Seat heating cushion kit, 12 V, PVC (black)

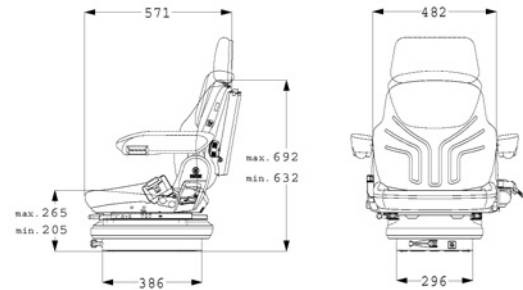
**Replacement parts:**

**REF [145TA2632](#)** – Backrest, fabric (blue-black)

**REF [110TA8722](#)** – Backrest, PVC

**REF [145TA2631](#)** – Seat cushion, fabric (blue-black)

**REF [110TA8720](#)** – Seat cushion, PVC



## Product line MSG 20

### MSG 20

The MSG 20 is designed to improve the vibration characteristics of the forklift truck and offers every driver a maximum of individual comfort. Basic configuration with backrest angle adjustment, fore/after adjustment 150 mm and rapid weight adjustment of 50-130 kg. **Comfort is only a click away.**

**REF 141TA4938**

PVC (imitation leather, black)

**REF 141TA4939**

PVC (imitation leather, black), fore/after adjustment 210 mm, belt bracket pre-assembled

**REF 144TA6912**

Fabric (blue-black), incl. seat switch

**REF 110TA8671**

PVC (imitation leather, black), incl. seat switch

**REF 141TA4935**

PVC (imitation leather, black), incl. seat switch, fore/after adjustment 210 mm, belt bracket pre-assembled

**REF 141TA4933**

PVC (imitation leather, black), incl. operator restraint system

**REF 141TA4932**

PVC (imitation leather, black), incl. operator restraint system and seat switch

**REF 129TA7781**

Seat heating, 12 V, fabric

**REF 129TA7782**

Seat heating, 24 V, fabric

**REF 129TA7771**

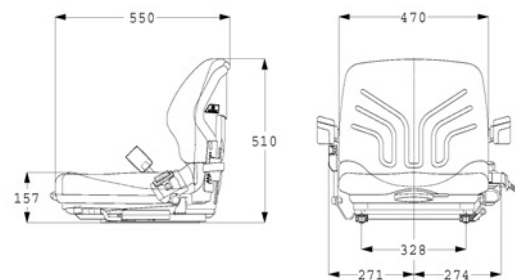
Seat heating, 12/24 V, PVC

**Optional features:**

- REF 110TA8648** – Armrest short (54 x 300 mm), folding, left
- REF 110TA8649** – Armrest short (54 x 300 mm), folding, right
- REF 141TA4943** – Cushion kit heated, 12/24 V, fabric (matrix)
- REF 145TA2599** – Cushion kit heated, 12/24 V, fabric (blue-black)
- REF 141TA4945** – Cushion kit heated, 12/24 V, PVC (black)
- REF 141TA4944** – Cushion kit heated, 48 V, fabric (matrix)
- REF 141TA4946** – Cushion kit heated, 48 V, PVC (black)
- REF 141TA4940** – Duo-sensitive operator restraint system
- REF 107TA7952** – Document holder
- REF 141TA4941** – Lap belt retractor
- REF 141TA4942** – Lap belt static
- REF 111TA6197** – Shock absorber
- REF 110TA8647** – Switch

**Replacement parts:**

- REF 144TA3685** – Backrest, fabric (blue-black)
- REF 142TA1532** – Backrest, PVC
- REF 144TA3684** – Seat cushion, fabric (blue-black)
- REF 110TA8681** – Seat cushion, PVC
- REF 145TA2599** – Cushion kit heated, 12/24 V, fabric (blue-black)
- REF 129TA7775** – Seat heating cushion, 12/24 V, PVC



## MSG 20 NARROW

The MSG 20 in the narrow accomplishment is a comfort seat with full suspension, which is especially created for vehicles with limited mounting height and width. The standard equipment covers a high backrest, backrest angle adjustment, fore/after adjustment and rapid weight adjustment of 50-130 kg.

**REF [144TA3683](#)**

Fabric (blue-black), incl. seat switch

**REF [147TA4987](#)**

PVC (black, imitation leather), incl. seat switch

**REF [147TA4633](#)**

Fabric (blue-black)

**REF [110TA8633](#)**

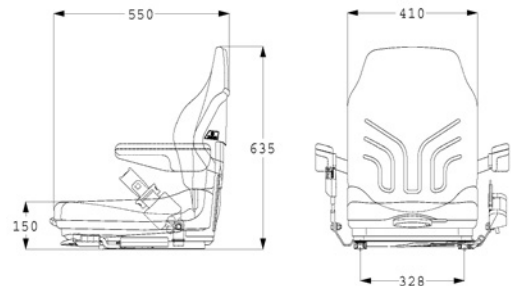
PVC (black, imitation leather)

**Optional features:**

- REF [107TA7952](#)** – Document holder
- REF [110TA8648](#)** – Armrest, short, folding left (54 x 300 mm)
- REF [110TA8649](#)** – Armrest, short, folding right (54 x 300 mm)
- REF [141TA4941](#)** – Lap belt, retractor
- REF [141TA4942](#)** – Lap belt, static
- REF [141TA4947](#)** – Cushion kit heated, 12/24 V, PVC (black)
- REF [141TA4948](#)** – Cushion kit heated, 48 V, PVC (black), cushion width 450 mm

**Replacement parts:**

- REF [145TA2604](#)** – Backrest, fabric (blue-black)
- REF [110TA8643](#)** – Backrest, PVC
- REF [145TA2603](#)** – Seat cushion, fabric (blue-black)
- REF [110TA8841](#)** – Seat cushion, PVC



## Product line B 12

### B 12

**The lowermost suspended seat** with weight adjustment (50-120 kg), backrest angle adjustment and fore/after adjustment. For vehicles with extreme cramped installation situations. The new design offers seating comfort for low-budget. Comfort and safety at minimal space.

**REF [126TA6087](#)**

PVC (black)

**REF [126TA6088](#)**

PVC (black), incl. seat switch

**Optional features:**

**REF [141TA4949](#)** – Armrest (65 x 270 mm), folding, left

**REF [141TA4950](#)** – Armrest (65 x 270 mm), folding, right

**REF [141TA4954](#)** – Document holder

**REF [141TA4951](#)** – Duo-sensitive belt system with roll-up

**REF [141TA4952](#)** – Lap belt static

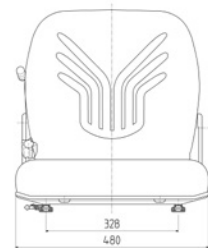
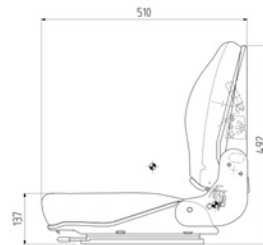
**REF [141TA4953](#)** – Lap belt retractor

**Replacement parts:**

**REF [141TA5249](#)** – Backrest, PVC

**REF [141TA5250](#)** – Seat cushion, PVC

**REF [142TA1533](#)** – Switch (only as replacement part)



## Product line PRIMO

A new dimension of suspension comfort at lowermost height. With the new product family PRIMO GRAMMER presents an innovative seating concept, that offers unequalled opportunities. **Seating comfort in new dimensions.**

### XXL PRIMO (MSG75G/522)

Very low-profile suspension with a seat cushion width of 450 mm. The pneumatic suspension with 12 V or 24 V compressor for forklift trucks and compact construction machines, suspension travel of 110 mm and weight adjustment range of 45-170 kg ensure a calm, relaxed ride in every work situation. The fore/after adjustment of 210 mm accommodates any body height. The backrest with angle adjustment, mechanical lumbar support and integrated backrest extension, easy to adjust to suit each user, pleasantly support the back while preventing disk injuries. The integrated operator restraint system offers maximum protection in a minimum of space.

#### REF [145TA2626\\*](#)

12 V, fabric (blue-black), incl. low-frequency suspension, lap belt duo and seat contact switch

#### REF [142TA1534\\*](#)

12 V, PVC, incl. low-frequency suspension, lap belt duo and seat contact switch

#### Optional features:

REF [125TA6338](#) – Armrest (60 x 320 mm), right and left

REF [145TA2618](#) – Seat cushion with heating, 12 V, fabric (blue-black)

REF [141TA4977](#) – Backrest cushion with heating, 12 V, PVC

REF [141TA4978](#) – Cable set heating, 12 V

REF [141TA4964](#) – Document holder

REF [141TA4963](#) – Duo-sensitive operator restraint system and buckle with switch

REF [141TA4959](#) – Fore/after isolation (not specified for construction machine)

REF [145TA2619](#) – Backrest cushion with heating, 12 V, fabric (blue-black)

REF [141TA4976](#) – Seat cushion with heating, 12 V, PVC

REF [147TA5195](#) – Backrest extension, fabric (blue)

REF [141TA4987](#) – Backrest extension, PVC

#### Replacement parts:

REF [145TA2617](#) – Backrest, fabric (blue)

REF [141TA5253](#) – Backrest, PVC

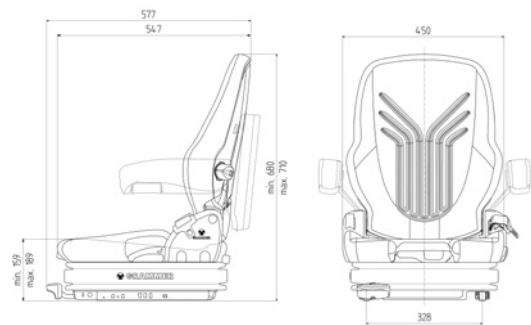
REF [145TA2616](#) – Seat cushion, fabric (blue)

REF [147TA3475](#) – Seat cushion, PVC

#### Low-frequency suspension

The low-frequency suspension with 110 mm suspension stroke improves the suspension comfort by 20% compared to the proven air suspension. The result: a substantial gain in suspension comfort for exemplary protection from health hazards.

\* 24 V optional configuration





## PRIMO XL (MSG75G(L)/521)

Very low-profile suspension with a seat cushion width of 480 mm. The pneumatic suspension with 12 V or 24 V compressor for forklift trucks and compact construction machines, suspension travel of 110 mm and weight adjustment range of 45-170 kg ensure a calm, relaxed ride in every work situation. The fore/after adjustment of 210 mm accommodates any body height. The backrest with angle adjustment, mechanical lumbar support and integrated backrest extension, easy to adjust to suit each user, pleasantly supports the back while preventing disk injuries. The integrated operator restraint system offers maximum protection in a minimum of space.

### REF [145TA2624](#)

12 V, fabric (blue-black), incl. low-frequency suspension, lap belt duo and height adjustable backrest extension

### REF [141TA4979](#)

12 V, fabric (matrix), incl. low-frequency suspension, lap belt duo and height adjustable backrest extension

### REF [139TA6032](#)

12 V, PVC, incl. lap belt duo and height adjustable backrest extension

### REF [141TA4980](#)

24 V, fabric (matrix), incl. lap belt duo and height adjustable backrest extension

### REF [145TA2625](#)

24 V, fabric (blue-black), incl. low-frequency suspension, lap belt duo and height adjustable backrest extension

### REF [142TA1535](#)

24 V, PVC, incl. lap belt duo and height adjustable backrest extension

### Optional features:

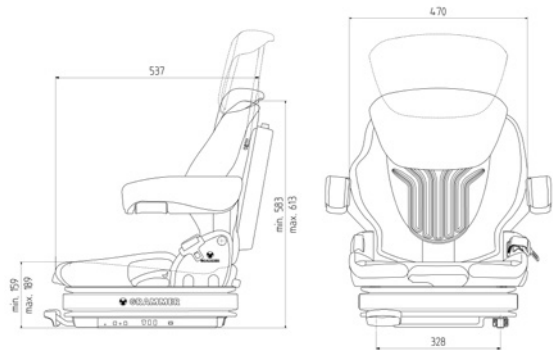
- REF [141TA4973](#) – Armrest (60 x 320 mm), left
- REF [141TA4961](#) – Armrest (60 x 320 mm), right
- REF [145TA2612](#) – Backrest cushion, with heating, 12 V, fabric (blue-black)
- REF [141TA4985](#) – Backrest cushion with heating, 12/24 V, PVC
- REF [141TA4978](#) – Cable set heating, 12 V
- REF [141TA4986](#) – Cable set heating, 24 V
- REF [141TA4964](#) – Document holder
- REF [145TA2608](#) – Seat cushion with heating, 12 V, PVC
- REF [141TA4984](#) – Seat cushion with heating, 12/24 V, PVC
- REF [144TA3690](#) – Backrest extension, fabric (blue), height adjustable
- REF [128TA4164](#) – Backrest extension, PVC

### Replacement parts:

- REF [144TA3688](#) – Backrest cushion, fabric (blue)
- REF [125TA6333](#) – Backrest, PVC
- REF [144TA3687](#) – Seat cushion, fabric (blue)
- REF [125TA6332](#) – Seat cushion, PVC

### Low-frequency suspension

The low-frequency suspension with 110 mm suspension stroke improves the suspension comfort by 20% compared to the proven air suspension. The result: a substantial gain in suspension comfort for exemplary protection from health hazards.



## PRIMO L (MSG75G/521)

Very low-profile suspension with a seat cushion width of 470 mm. The pneumatic suspension with 12 V or 24 V compressor for forklift trucks and compact construction machines, suspension travel of 110 mm and weight adjustment range of 45-170 kg ensure a calm, relaxed ride in every work situation. The fore/after adjustment of 210 mm accommodates any body height. The backrest with angle adjustment and mechanical lumbar support, easy to adjust to suit each user, pleasantly supports the back while preventing disk injuries. The integrated operator restraint system offers maximum protection in a minimum of space.

### REF [145TA2623](#)

12 V, fabric (blue-black), incl. lap belt duo

### REF [125TA5082](#)

12 V, PVC (black), incl. lap belt duo

### REF [145TA2689](#)

24 V, fabric (blue-black), incl. lap belt duo and buckle switch

### REF [139TA6031](#)

24 V, PVC, incl. lap belt duo and buckle switch

### Optional features:

REF [141TA4973](#) - Armrest (60 x 320 mm), left

REF [141TA4961](#) - Armrest (60 x 320 mm), right

REF [145TA2612](#) - Backrest cushion with heating, 12 V, fabric (blue-black)

REF [141TA4985](#) - Backrest cushion with heating, 12/24 V, PVC

REF [141TA4978](#) - Cable set heating, 12 V

REF [141TA4986](#) - Cable set heating, 24 V

REF [141TA4964](#) - Document holder

REF [145TA2608](#) - Seat cushion with heating, 12 V, fabric (blue-black)

REF [141TA4984](#) - Seat cushion with heating, 12/24 V, PVC

REF [144TA3690](#) - Backrest extension, fabric (blue), height adjustable

REF [128TA4164](#) - Backrest extension, PVC, height adjustable

REF [125TA6339](#) - Switch

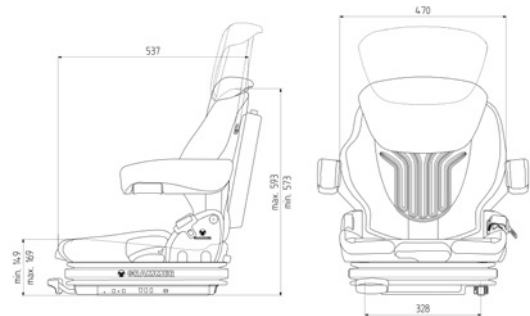
### Replacement parts:

REF [144TA3688](#) - Backrest cushion, fabric (blue)

REF [125TA6333](#) - Backrest, PVC

REF [125TA6332](#) - Seat cushion, PVC

REF [144TA3687](#) - Seat cushion, fabric (blue)



## PRIMO XXM (MSG65/522)

Very low-profile suspension with a seat width of 450 mm. The full mechanical suspension for forklift trucks and compact construction machines with suspension travel of 80 mm and weight adjustment range of 45-170 kg ensure a smooth ride. The fore/after adjustment of 210 mm accommodates any body height. The backrest with angle adjustment and mechanical lumbar support, easy to adjust to suit each user, pleasantly supports the back while preventing disk injuries. The integrated operator restraint system offers maximum protection in a minimum of space.

### REF [145TA2615](#)

Fabric (blue-black), incl. lap belt duo and seat contact switch

### REF [139TA6030](#)

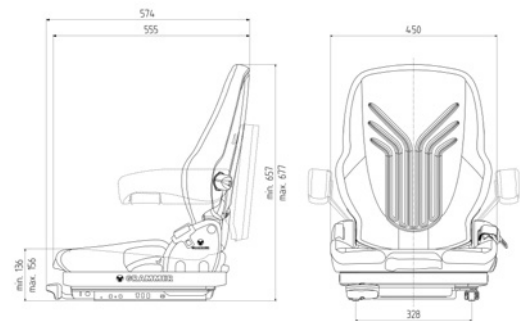
PVC (black), incl. lap belt duo and seat contact switch

### Optional features:

- REF [141TA4973](#) – Armrest (60 x 320 mm), left
- REF [141TA4961](#) – Armrest (60 x 320 mm), right
- REF [145TA2619](#) – Backrest cushion with heating, 12 V, fabric (blue-black)
- REF [141TA4977](#) – Backrest cushion with heating, 12 V, PVC
- REF [141TA4978](#) – Cable set heating, 12 V
- REF [141TA4986](#) – Cable set heating, 24 V
- REF [141TA4964](#) – Document holder
- REF [145TA2618](#) – Seat cushion with heating, 12 V, fabric (blue-black)
- REF [141TA4976](#) – Seat cushion with heating, 12 V, PVC
- REF [125TA6339](#) – Switch
- REF [144TA3690](#) – Backrest extension, fabric (blue), height adjustable
- REF [141TA4987](#) – Backrest extension, PVC (black)

### Replacement parts:

- REF [145TA2617](#) – Backrest, fabric (blue)
- REF [141TA5253](#) – Backrest, PVC
- REF [145TA2616](#) – Seat cushion, fabric (blue)
- REF [147TA3471](#) – Seat cushion, PVC





## PRIMO XM (MSG65/521)

Very low-profile suspension with a seat width of 470 mm. The full mechanical suspension for forklift trucks and compact construction machines with suspension travel of 80 mm and weight adjustment range of 45-170 kg ensure a smooth ride. The fore/after adjustment of 210 mm accommodates any body height. The backrest with angle adjustment and mechanical lumbar support, easy to adjust to suit each user, pleasantly supports the back while preventing disk injuries. The integrated operator restraint system offers maximum protection in a minimum of space.

### REF [144TA3686](#)

Fabric (blue-black), incl. lap belt duo

### REF [141TA4988](#)

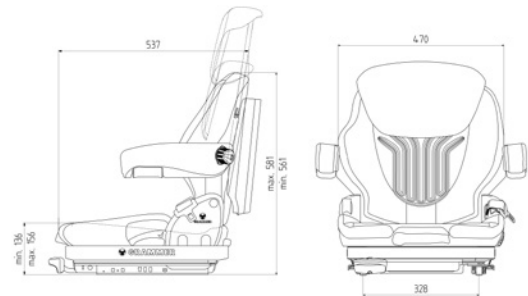
PVC (black), incl. lap belt duo

### Optional features:

- REF [141TA4973](#) – Armrest (60 x 320 mm), left
- REF [141TA4961](#) – Armrest (60 x 320 mm), right
- REF [145TA2612](#) – Backrest cushion with heating, 12 V, fabric (blue-black)
- REF [141TA4983](#) – Backrest cushion with heating, 12/24 V, fabric (matrix)
- REF [141TA4985](#) – Backrest cushion with heating, 12/24 V, PVC
- REF [141TA4992](#) – Backrest cushion with heating, 48 V, fabric (matrix)
- REF [141TA4990](#) – Backrest cushion with heating, 48 V, PVC
- REF [141TA4993](#) – Cable set heating, 12 V
- REF [141TA4994](#) – Cable set heating, 24 V
- REF [141TA4995](#) – Cable set heating, 48 V
- REF [141TA4964](#) – Document holder
- REF [145TA2608](#) – Seat cushion with heating, 12 V, fabric (blue-black)
- REF [141TA4982](#) – Seat cushion with heating, 12/24 V, fabric (matrix)
- REF [141TA4984](#) – Seat cushion with heating, 12/24 V, PVC
- REF [141TA4991](#) – Seat cushion with heating, 48 V, fabric (matrix)
- REF [141TA4989](#) – Seat cushion with heating, 48 V, PVC
- REF [141TA4996](#) – Switch
- REF [144TA3690](#) – Backrest extension, fabric (blue), height adjustable
- REF [128TA4164](#) – Backrest extension PVC

### Replacement parts:

- REF [144TA3688](#) – Backrest cushion, fabric (blue)
- REF [125TA6333](#) – Backrest, PVC
- REF [144TA3687](#) – Seat cushion, fabric (blue)
- REF [125TA6332](#) – Seat cushion, PVC



## PRIMO M (MSG65/521)

Very low-profile suspension with a seat width of 470 mm. The full mechanical suspension for forklift trucks and compact construction machines with suspension travel of 60 mm and weight adjustment range of 45-170 kg ensure a smooth ride. The fore/after adjustment of 210 mm accommodates any body height. The backrest with angle adjustment and mechanical lumbar support, easy to adjust to suit each user, pleasantly supports the back while preventing disk injuries.

### REF [145TA2609](#)

Fabric (blue-black)

### REF [139TA6029](#)

PVC (black)

### Optional features:

REF [141TA4997](#) – Adapter cable (new assignment)

REF [141TA4973](#) – Armrest (60 x 320 mm), left

REF [141TA4961](#) – Armrest (60 x 320 mm), right

REF [145TA2612](#) – Backrest cushion with heating, 12 V, fabric (blue-black)

REF [141TA4985](#) – Backrest cushion with heating, 12/24 V, PVC

REF [141TA4992](#) – Backrest cushion with heating, 48 V, fabric (matrix)

REF [141TA4990](#) – Backrest cushion with heating, 48 V, PVC

REF [141TA4993](#) – Cable set heating, 12 V

REF [141TA4994](#) – Cable set heating, 24 V

REF [141TA4995](#) – Cable set heating, 48 V

REF [141TA4964](#) – Document holder

REF [145TA2608](#) – Seat cushion, fabric (blue-black), with heating, 12 V

REF [141TA4984](#) – Seat cushion with heating, 12/24 V, PVC

REF [141TA4991](#) – Seat cushion with heating, 48 V, fabric (matrix)

REF [141TA4989](#) – Seat cushion with heating, 48 V, PVC

REF [141TA4998](#) – Lap belt duo, left

REF [142TA1538](#) – Lap belt duo, left and buckle with switch

REF [141TA4999](#) – Lap belt duo, right and buckle with switch

REF [141TA5000](#) – Lap belt static

REF [141TA4996](#) – Seat switch

REF [141TA5001](#) – Storage net

REF [144TA3690](#) – Backrest extension, fabric (blue), height adjustable

REF [141TA4987](#) – Backrest extension, PVC, height adjustable

### Replacement parts:

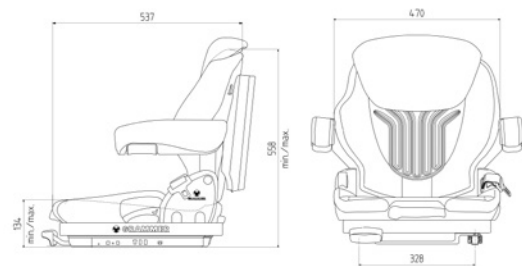
REF [144TA3688](#) – Backrest cushion, fabric (blue)

REF [125TA6333](#) – Backrest, PVC

REF [144TA3687](#) – Seat cushion, fabric (blue)

REF [125TA6332](#) – Seat cushion, PVC

**Note:** restricted field of application, only to be fitted on industrial trucks (forklifts), not suitable for construction equipment





NOTES

A large area of the page is filled with horizontal dotted lines, intended for taking notes. The lines are evenly spaced and extend across most of the page width.



2

# CONSTRUCTION SEATS

## Product line ACTIMO

The super comfort seat for big machines sets exemplary benchmarks: the extra-high, comfortably formed backrest offers optimal back and side support because of the accentuated side contour. The multiple adjustment possibilities will be established through ergonomically sensible, reasoned user guidance to the driver. Because of this user comfort the individual adjustment to the optimum seat position is easily found. **The perfect foundation for good work.**

### ACTIMO EVOLUTION (MSG 95EL/742, /722)

Air suspended premium seat with low-frequency suspension and active weight adjustment (50-130 kg), stepless height adjustment 80 mm, suspension stroke 100 mm, quadruple adjustable dumper for vertical suspension, fore/after isolator, length adjustment 210 mm, adjustable seat cushion length and angle, backrest angle adjustment, active seat climate system, seat heating, headrest, height and angle adjustable armrests with fabric, pneumatic lumbar support, document holder.

#### REF 145TA2734

- Fabric (anthracite-silver)
- Design for use, sideways operated
- Air suspension with compressor 12 V
- Including adapter cable 12 V

#### REF 145TA2743

- Fabric (silver-anthracite)
- Design for use, sideways operated
- Air suspension with compressor 24 V
- Including adapter cable 24 V

#### REF 145TA2744

- Fabric Dinamica Star (black-anthracite)
- Front operated preparation for control carrier boxes
- Air suspension with compressor 12 V
- Including adapter cable 12 V

#### REF 145TA2749

- Fabric Dinamica Star (black-anthracite)
- Front operated preparation for control carrier boxes
- Air suspension with compressor 24 V
- Including adapter cable 24 V

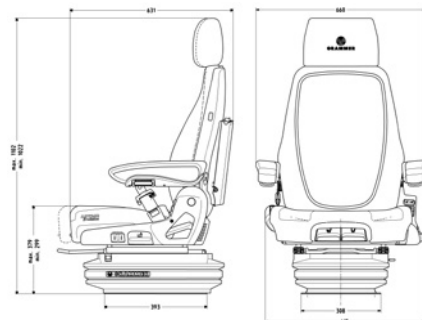
#### Optional features:

**REF 141TA5006** – Control carrier box, left, with mounting parts REF 141TA5007 and REF 141TA5008

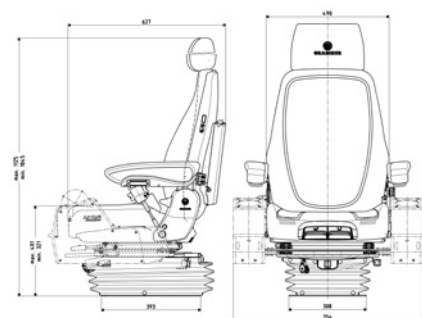
**REF 141TA5009** – Control carrier box, right, with mounting parts REF 141TA5007 and REF 141TA5008



Version for wheeled loader



Version for excavators





## ACTIMO XL (MSG 95A/722)

Air-suspended comfort seat with pneumatic lumbar support, adjustable shock absorber for vertical suspension, automatic weight adjustment (50-130 kg), stepless height adjustment 80 mm, suspension stroke 100 mm, GRAMMER passive climate system, fore/after isolator, seat cushion length and angle adjustment, APS: automatic positioning system.

### REF 145TA2721

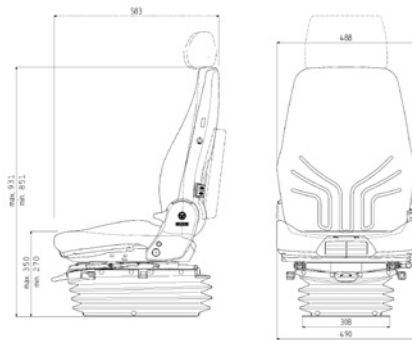
- Fabric (yellow-black)
- Narrow suspension (308 mm)
- Without low-frequency suspension
- 12 V

### REF 145TA2722

- Fabric (yellow-black)
- Narrow suspension (308 mm)
- Without low-frequency suspension
- 24 V

### Optional features:

- REF 141TA4918 – Armrest (65 x 270 mm), height adjustable, folding, left
- REF 141TA4917 – Armrest (65 x 270 mm), height adjustable, folding, right
- REF 141TA4916 – Armrest long (80 x 380 mm), adjustable angle, left
- REF 141TA4915 – Armrest long (80 x 380 mm), adjustable angle, right
- REF 141TA4913 – Document holder
- REF 141TA5017 – Duo-sensitive operator restraint system
- REF 141TA5015 – Extra-wide seat cushion 550 mm, fabric (matrix)
- REF 141TA5013 – Headrest, fabric (matrix, with logo)
- REF 141TA5012 – Headrest, fabric (matrix, without logo)
- REF 141TA5014 – Headrest, PVC (black)
- REF 141TA5016 – Lap belt retractor
- REF 141TA5019 – Lateral suspension
- REF 141TA5020 – Lateral suspension (reinforced version)
- REF 141TA5021 – Rotary adapter 360° (height: 31 mm)
- REF 145TA2724 – Seat cushion with heating, 12 V, fabric (yellow-black)
- REF 145TA2723 – Backrest cushion with heating, 12 V, fabric (yellow-black)
- REF 145TA2725 – Seat heating, 24 V, fabric (yellow-black)
- REF 141TA5025 – Seat heating, 24 V, PVC (black)
- REF 141TA5018 – Seat switch



## ACTIMO XXL (MSG 97AL/722)

Air-suspended super comfort seat with low-frequency suspension, automatic weight adjustment (50-130 kg), stepless height adjustment 80 mm, suspension stroke 100 mm, GRAMMER passive climate system, seat heating, fore/after isolator, pneumatic lumbar support, adjustable shock absorber for vertical suspension, seat cushion length and angle adjustment, APS: automatic positioning system.

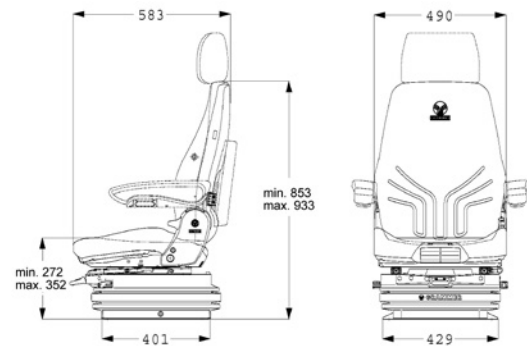
### REF 145TA2727\*

- Fabric (yellow-black)
- Air suspension with 24 V compressor
- Extra-wide, ruggedized suspension
- Length adjustment: 170 mm

### Optional features:

- REF 141TA4918 – Armrest (65 x 270 mm), height adjustable, folding, left
- REF 141TA4917 – Armrest (65 x 270 mm), height adjustable, folding, right
- REF 141TA4916 – Armrest long (80 x 380 mm), adjustable angle, left
- REF 141TA4915 – Armrest long (80 x 380 mm), adjustable angle, right
- REF 141TA4913 – Document holder
- REF 141TA5017 – Duo-sensitive operator restraint system with roll-up
- REF 141TA5015 – Extra-wide seat cushion 550 mm, fabric (matrix)
- REF 145TA2717 – Headrest, fabric (with logo)
- REF 147TA5067 – Seat heating, 24 V, fabric (yellow-black)
- REF 141TA5012 – Headrest, fabric (matrix, without logo)
- REF 141TA5014 – Headrest, PVC (black)
- REF 141TA5016 – Lap belt retractor
- REF 141TA5019 – Lateral suspension
- REF 141TA5020 – Lateral suspension (reinforced version)
- REF 141TA5021 – Rotary adapter 360° (height: 31 mm)
- REF 141TA5018 – Seat switch

\* Optional configuration





## ACTIMO XL WITH CONTROL CARRIER (MSG 95A/722 24 V)

Air-suspended comfort seat with mechanical lumbar support, fore/after isolator, adjustable seat cushion length and angle, automatic weight adjustment (50-130 kg), stepless height adjustment 80 mm, APS: automatic positioning system, folding armrests (80 x 380 mm), lap belt, headrest, integrated control carrier, seat heating, seat contact switch.

**REF 141TA5028\***

Fabric (black), boucle, air suspension with 24 V compressor

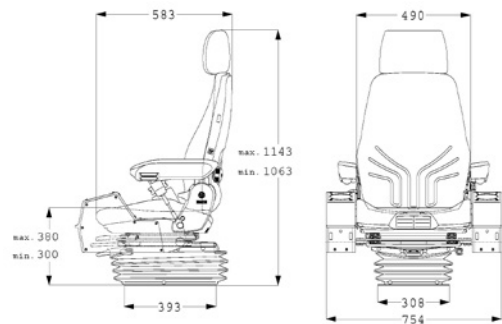
**REF 147TA4635**

Fabric (yellow-black)

**Optional features:**

**REF 141TA4913** – Document holder

\* Optional configuration



## ACTIMO M (MSG 85/722)

Mechanically suspended comfort seat with lumbar support, height adjustment 60 mm, suspension stroke 100 mm, weight adjustment (50-130 kg), seat cushion length and angle adjustment.

**REF 145TA2711**

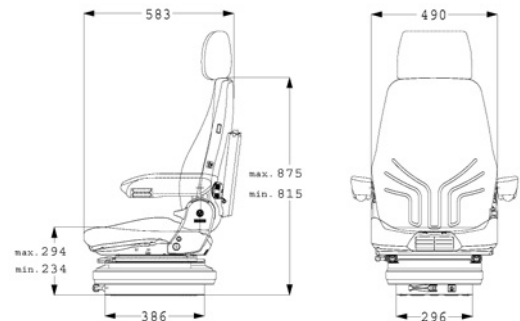
Fabric (yellow-black)

**REF 141TA5030**

PVC (imitation leather, black)

**Optional features:**

- REF 141TA4918** – Armrest (65 x 270 mm), height adjustable, folding, left
- REF 141TA4917** – Armrest (65 x 270 mm), height adjustable, folding, right
- REF 141TA4916** – Armrest long (80 x 380 mm), angle adjustable, left
- REF 141TA4915** – Armrest long (80 x 380 mm), angle adjustable, right
- REF 141TA4913** – Document holder
- REF 141TA5017** – Duo-sensitive operator restraint system with roll-up
- REF 145TA2715** – Seat cushion 550 mm, fabric (yellow-black)
- REF 141TA5012** – Headrest, fabric (matrix)
- REF 141TA5014** – Headrest, imitation leather (black)
- REF 141TA5016** – Lap belt retractor
- REF 145TA2718** – Seat heating, 12 V, fabric (yellow-black)
- REF 145TA2719** – Seat heating, 12 V, fabric (yellow-black), extra wide (550 mm)
- REF 147TA5068** – Seat heating, 24 V, fabric (yellow-black), extra wide (550 mm)
- REF 141TA5031** – Seat switch



## ACTIMO M WITH CONTROL CARRIER (MSG 85/722)

Mechanically suspended comfort seat with lumbar support, height adjustment, weight adjustment (50-130 kg), seat cushion length and angle adjustment, folding armrests (80 x 320 mm), headrest.

**REF 145TA2712**

Fabric (yellow-black buckle)

**REF 141TA5037**

PVC (imitation leather, black)

**Optional features:**

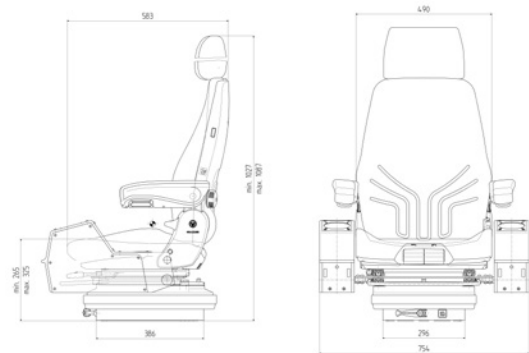
**REF 141TA4913** - Document holder

**REF 141TA5039** - Duo-sensitive operator restraint system with roll-up

**REF 141TA5038** - Lap belt retractor

**REF 145TA2718** - Seat heating, 12 V, fabric (yellow-black)

**REF 141TA5031** - Seat switch



## SEAT SHELL S 44

Seat shell in narrow accomplishment with seat climate ducts.

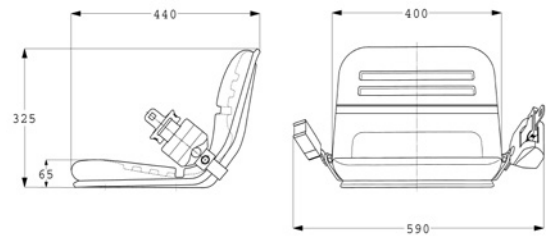
**REF [141TA5040](#)**

PVC (imitation leather, black)

**Optional features:**

**REF [141TA5041](#)** – Fore/after adjustment

**REF [141TA5042](#)** – Lap belt retractor



## SEAT SHELL S 38

Seat shell in wide accomplishment with seat climate ducts.

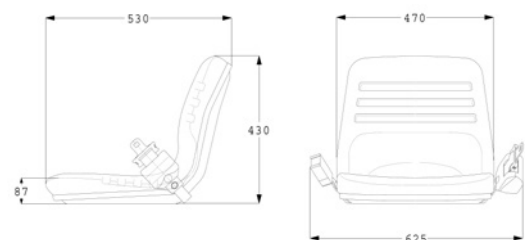
**REF [141TA5043](#)**

PVC (imitation leather, black)

**Optional features:**

**REF [141TA5041](#)** – Fore/after adjustment

**REF [141TA5042](#)** – Lap belt retractor



**We can provide seats equipped with options.**












## TVH PARTS AROUND THE WORLD



### TVH PARTS

### BEPCO

-  **AUSTRALIA**  
TVH AUSTRALASIA PTY LTD  
Dandenong South (Melbourne, Victoria) -  
Richlands (Brisbane, Queensland) -  
Welshpool (Perth, West Australia) -  
Wetherill Park (Sydney, New South Wales) -  
Wingfield (Adelaide, South Australia)
-  **BELGIUM**  
TVH PARTS NV  
Waregem  
TVH GROUP NV  
Waregem
-  **BRASIL**  
TVH DINAMICA PEÇAS LTDA  
Vinhedo
-  **BULGARIA**  
TVH BULGARIA LTD  
Petrich
-  **CANADA**  
TVH CANADA LTD  
Mississauga (Ontario) - Port Coquitlam (British Columbia)
-  **CHINA**  
TVH TRADING (SHANGHAI) CO, LTD  
Shanghai - Tianjin
-  **FRANCE**  
TVH FRANCE SASU  
Wattrelos  
FRANCE HAYON GROUPE  
Châteaubourg
-  **INDIA**  
TVH INDIA PTE LTD  
Pune

-  **ITALY**  
TVH ITALIA SRL  
Marano Ticino (Novara) - Torino  
CAM SRL  
Marano Ticino (Novara)
-  **MALAYSIA**  
TVH MALAYSIA SDN BHD  
Johor Bahru - Penang - Shah Alam (Kuala Lumpur)
-  **MEXICO**  
TVH MEXICO, S DE RL DE CV  
Cuautitlán Izcalli (Mexico City) - Monterrey
-  **NEW ZEALAND**  
TVH NEW ZEALAND LTD  
Christchurch - East Tamaki (Auckland)
-  **POLAND**  
TVH POLSKA SP 200  
Tychy
-  **RUSSIA**  
TVH RUS LLC  
Dubrovka (Moscow)
-  **SINGAPORE**  
TVH SINGAPORE PTE LTD  
Jurong
-  **SOUTH AFRICA**  
TVH PARTS SOUTH AFRICA LTD  
Briardene (Durban) - Isando (Johannesburg) -  
Korsten (Port Elizabeth) - Kraaifontein (Cape Town) - Lichtenburg
-  **SWEDEN**  
TVH NORDIC AB  
Ed

-  **THAILAND**  
TVH THAILAND LTD  
Bangkok
-  **TURKEY**  
TVH YEDEK PARCA TICARET AŞ  
Başakşehir (Istanbul, European) - Tuzla (Istanbul, Asian)
-  **UNITED ARAB EMIRATES**  
TVH MIDDLE EAST FZE  
Sharjah
-  **UNITED KINGDOM**  
TVH UK LTD  
Coventry
-  **USA**  
TVH PARTS CO  
Duncan (South Carolina) - Fresno (California) - Grayslake (Illinois) -  
Harrisburg (Pennsylvania) - Miami (Florida) - Mira Loma (California) -  
Olathe (Kansas) - Shreveport (Louisiana)  
C-TECH  
West Chester Township (Ohio)  
SUPERIOR SIGNALS, INC  
Olathe (Kansas)

### SALES REPRESENTATION IN THE FOLLOWING COUNTRIES:

Albania, Algeria, Austria, Bahrain, Belarus, Benin, Bosnia, Botswana, Bulgaria, Canary Islands, Croatia, Cyprus, Denmark, Djibouti, Egypt, Estonia, Finland, Ghana, Greece, Hong Kong, Iceland, Ireland, Kosovo, Kuwait, Latvia, Lesotho, Libya, Lithuania, Macedonia, Malawi, Malta, Morocco, Mauritania, Moldova Republic, Montenegro, Mozambique, Namibia, Nigeria, Norway, Oman, Pakistan, Portugal, Qatar, Saudi Arabia, Serbia, Slovenia, Swaziland, Switzerland, Taiwan, Togo, Tunisia, Ukraine, Yemen, Zambia, Zimbabwe.



Go to **downloads** on **www.tvh.com** to find all catalogues.

### Consumables & accessories

REF 21713862

Personal equipment and safety, industrial vehicle repair, maintenance parts and accessories, workshop consumables and accessories, warehouse accessories, on the field.

### Seats & accessories

REF 27506014

Seat pans, narrow seats, standard seats, universal seats, anti-static & heated seats, accessories and safety systems.



# Quality parts cheaper



FOLLOW US



PARTS & ACCESSORIES



COMPANY MOVIE



TVH PARTS NV  
Brabantstraat 15 · 8790 Waregem · Belgium  
T +32 56 43 42 11 · F +32 56 43 44 88 · info@tvh.com · www.tvh.com

