



**TELEHANDLERS,
ROUGH TERRAIN FORKLIFTS &
SMALL EARTH-MOVING EQUIPMENT**

parts & accessories



INDEX

Telehandlers	4-5
Rough terrain forklifts	6-7
Mini-excavators	8-9
Skid steer loaders	10-11
Engine parts	12-13
Transmission parts	14-15
Drive axle parts	16-17
Hydraulic parts	18-19
Cabin parts	20-37
Seats	20-27
Mirrors	28-31
Keys & key switches	32-33
Window parts	34-37
Lights	38-47
Electrical parts	48-57
Remote control	58-59
Sliding blocks	60-61
Gas springs	62-63
Tyres	64-65
Rubber tracks	66-67
Undercarriage parts	68-69
Attachments & accessories	70-77
Consumables & accessories	78-79
Paint & accessories	80-83
About TVH	84-85
How can we help you?	86-91
Worldwide presence	92-93
History	94-95

© July 2016 TVH Group NV, Brabantstraat 15, B-8790 Waregem. All rights reserved. No part of this publication may be reproduced or communicated in any form or by any means, electronic or mechanical, including copying, recording or use in an information storage or retrieval system, without prior and explicit permission of TVH Group NV. TVH®, TotalSource®, CAM System® and LazySweeper® are registered trademarks. All other trademarks or tradenames in this publication are the property of their respective owners. TVH is a supplier of after-market spare parts and accessories that are suitable for the maintenance and repair of OEM-equipment. OEM references and brands are purely indicative and do not imply that the accessories and/or spare parts are coming from the original equipment or parts manufacturer. Printing errors reserved. Photographs and illustrations are included for reference purposes only. All sales are subject to the general terms & conditions of sale on www.tvh.com/aw. - REF 33103995 - 02-2016 - SB



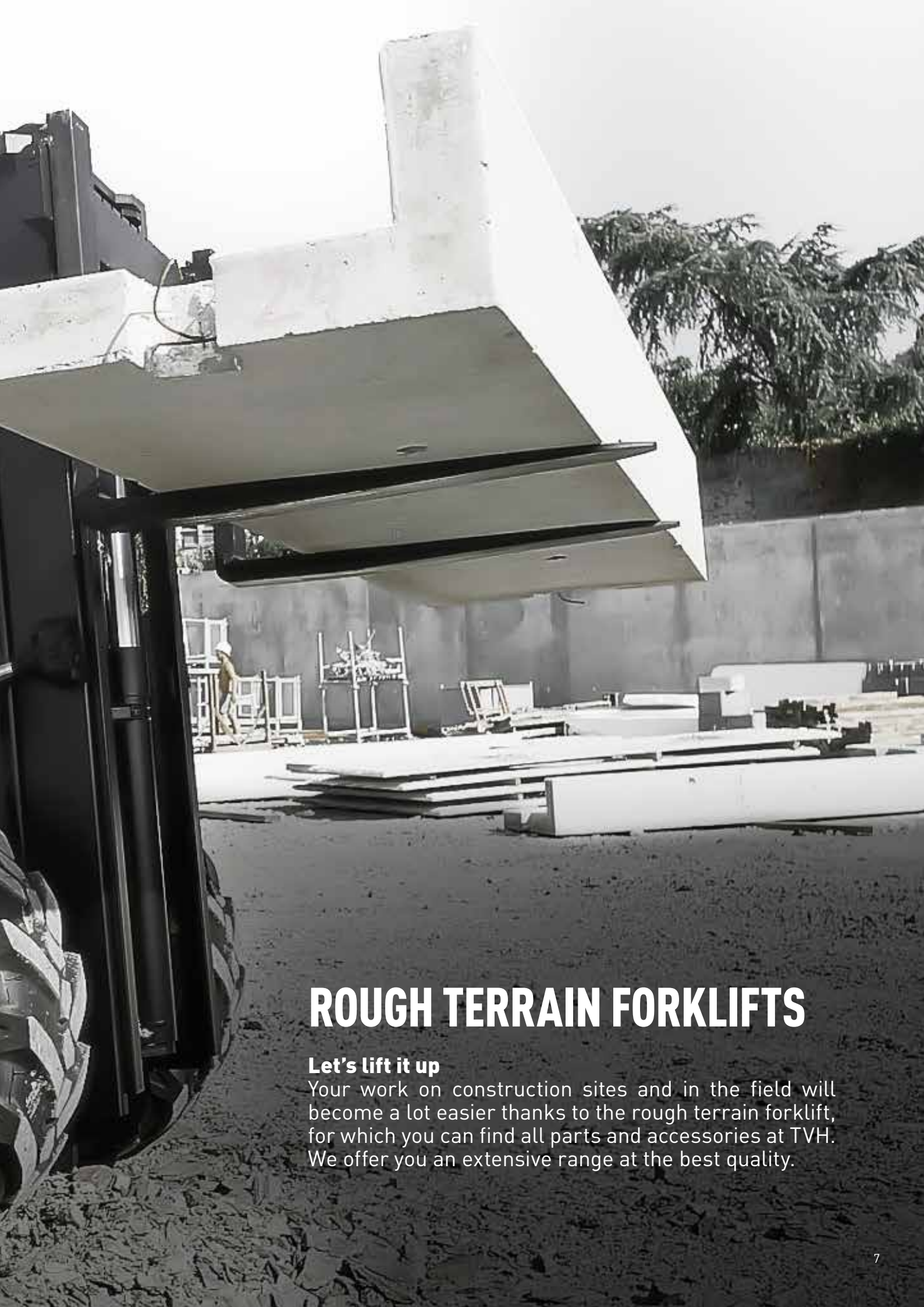


TELEHANDLERS

We reach out to you

Whatever part or accessory for telehandlers you might need, TVH is the place to be. We offer a unique range in the market and our short delivery times will surely surprise you.



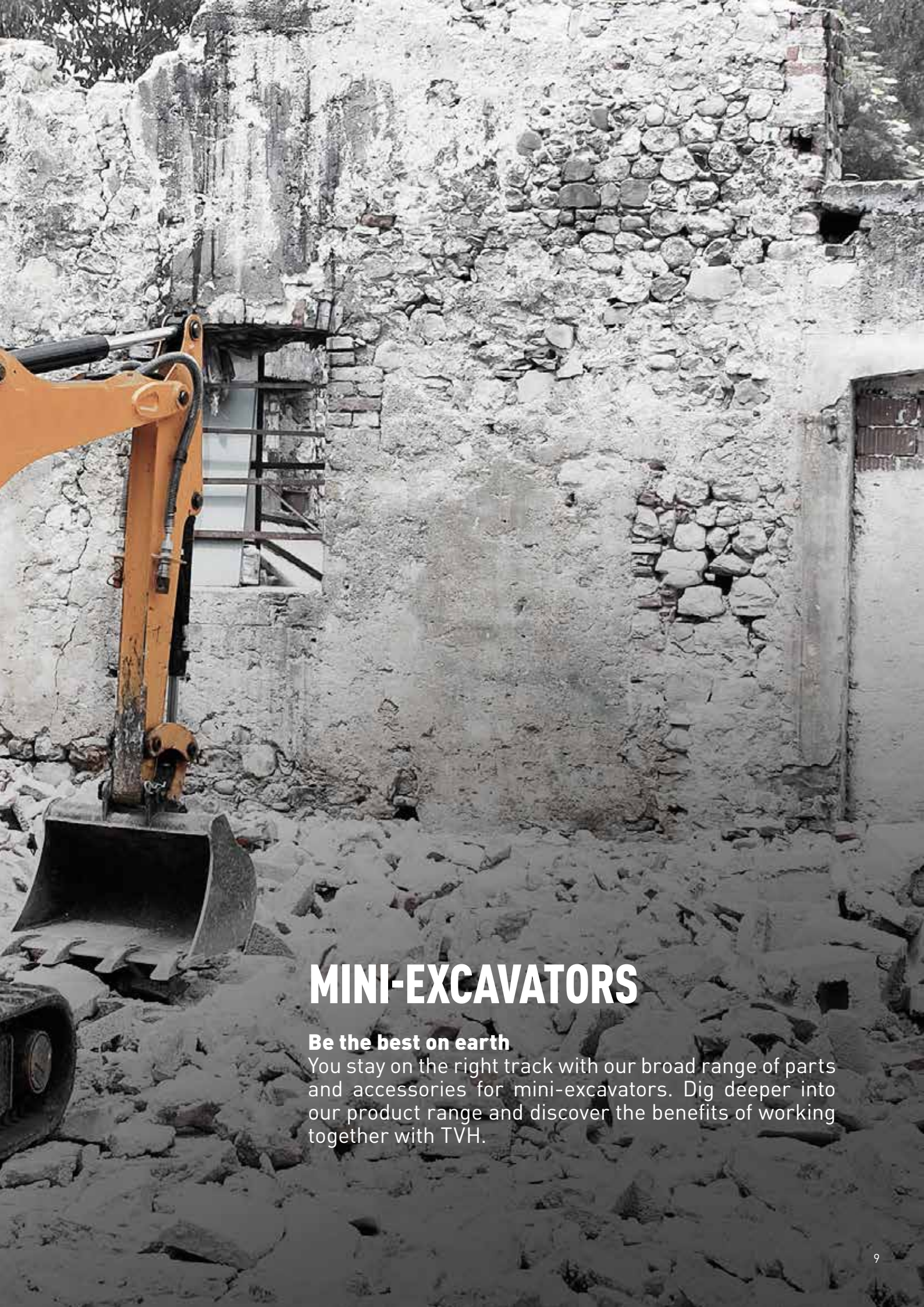


ROUGH TERRAIN FORKLIFTS

Let's lift it up

Your work on construction sites and in the field will become a lot easier thanks to the rough terrain forklift, for which you can find all parts and accessories at TVH. We offer you an extensive range at the best quality.





MINI-EXCAVATORS

Be the best on earth

You stay on the right track with our broad range of parts and accessories for mini-excavators. Dig deeper into our product range and discover the benefits of working together with TVH.

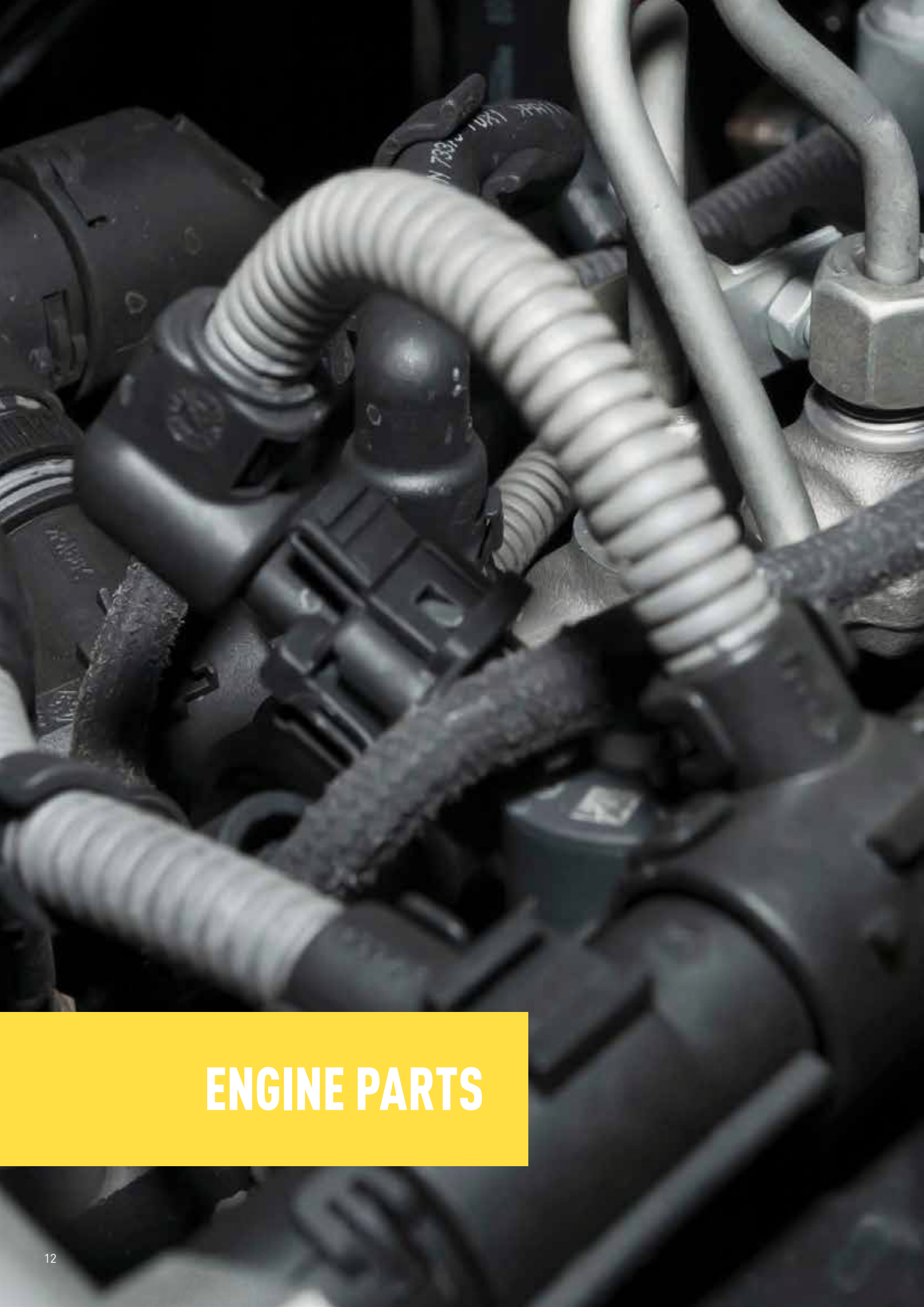




SKID STEER LOADERS

Get started quickly and well equipped

To guarantee your maximum performance and safety, we are constantly developing and refining our product range to ensure that your skid steer loader contains high-quality parts and accessories.



ENGINE PARTS



In addition to complete engines, new and rebuilt, TVH also offers you engine parts. We even have a specific catalogue '**Engine parts**' that shows you all the parts for different engine types (including engines for aerial work platforms and agricultural machines). We have included extra chapters on cylinder heads, crankshafts and accessories.

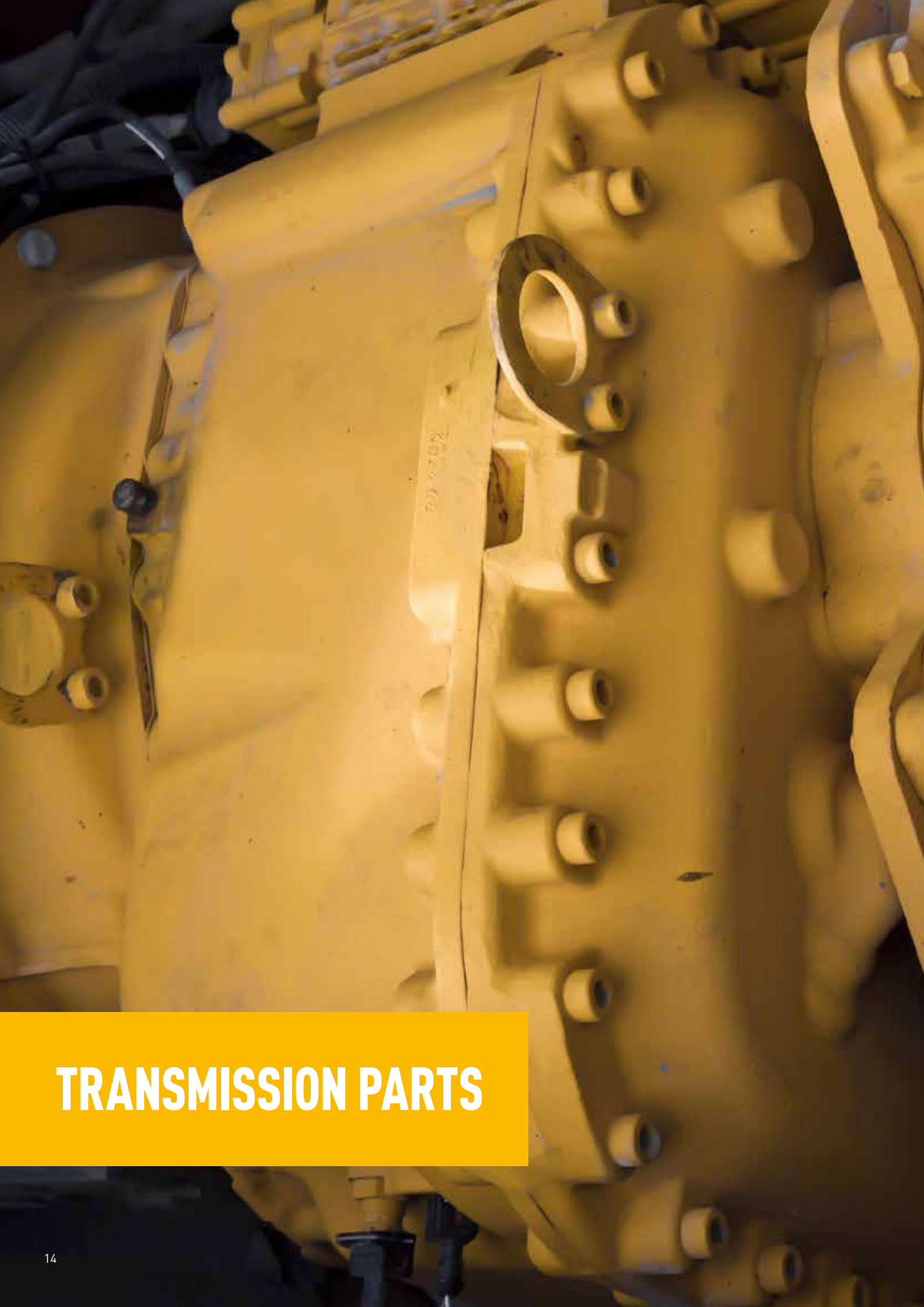
In addition to new parts, we also have a wide range of reconditioned engine parts in stock, for example cylinder heads, engine blocks and crankshafts.

Parts suitable for:


Atec · Caterpillar · Continental · Cummins · Deutz · Fiat · Ford · GM · Hatz · Honda · Isuzu · JCB · Kubota · Lombardini · M.A.N. · Mazda · Mercedes · Mitsubishi · Perkins · Scania · Soylu · Vanguard Forklift · Volkswagen · Volvo · Wisconsin · Xinchai · Yanmar · ...



Engine parts catalogue
REF 20177485



TRANSMISSION PARTS



Looking for a new, reconditioned or exchange transmission, or maybe a repair of your old unit?

Send us the brand, type and serial number mentioned on your old unit and we offer you the solution that meets your requirements. We have a large number of reconditioned transmissions in stock. Each unit has been inspected and fitted with new wear items. Before shipment, the units are tested at our own test facilities. All reconditioned transmissions in our stock are supplied with a 6-month warranty.

TVH has a wide range of reconditioned parts for transmissions in stock such as housings, drums, gears ...

Parts suitable for:

Aisin · Allison · Borg Warner · Carraro · Case · Caterpillar · Clark · Dana · Daewoo · Doosan · Ford · Funk · Graziano · Hurth · Hyster · JCB · Kalmar · Komatsu · Linde · Manitou · Mitsubishi · New Process · Nissan · Okamura · Spicer · TCM · Toyota · Twin Disk · Voith · Yale · ZF · ...



**Reconditioned
Recycled
Reliable**

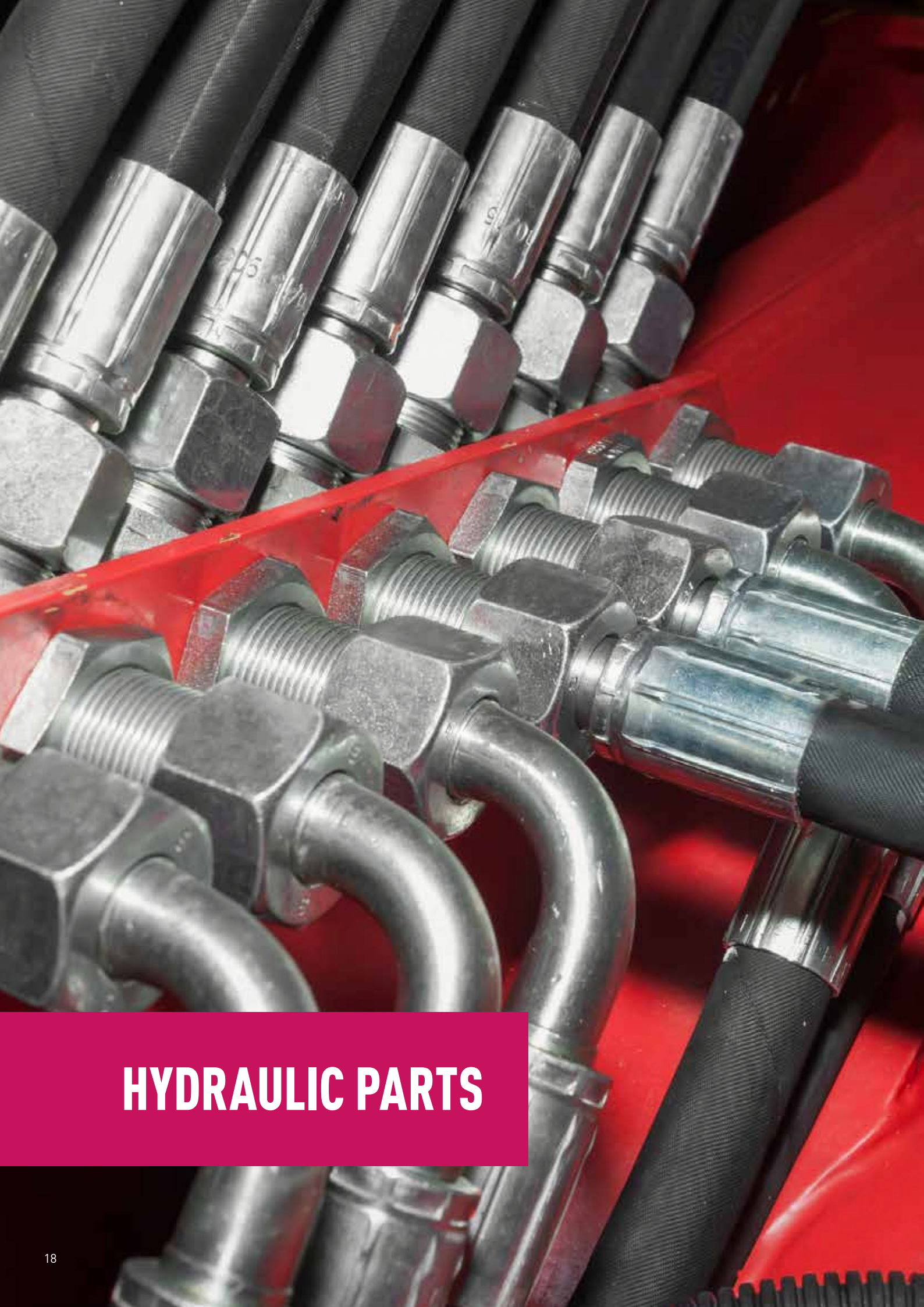


DRIVE AXLE PARTS



At TVH, you find all parts related to the steering and drive train such as steering wheels and knobs, clutch covers, discs and drums, automatic transmission discs, axle shafts, differentials, drive shafts, gears and pinions, reducers, transmission pumps and valves ...





HYDRAULIC PARTS

Thanks to our extensive program for hydraulic products, our catalogue is a practical tool to help you find exactly what you need. In this catalogue you will find: hydraulic pumps, orbitrols, hydraulic motors, hydraulic cylinders, distributor blocks, auxiliary valves & handle kits, transmission valves, solenoid valves ...



Hydraulic parts & accessories catalogue
REF 31331437



PRESS FOR HYDRAULIC HOSES - 1 1/4"

	REF	TECHNICAL DETAILS
	<p>139TA3146</p>	<p>Maximum hose dimensions: 1 1/4" Crimping capacity: 1500 kN Maximum crimping Ø: 55 mm Maximum opening: die Ø + 26 mm Standard motor: 3,6 kW – 380 V – 3-phase (different voltages available) Control digital controller Main die opening/length: 124/80 mm Crimping range 10 – 55 mm Weight: 250 kg (including oil) – sold without oil Dimensions (L x W x H): 600 x 480 x 1300 mm Die sets standard: 10 – 13 – 16 – 19 – 22 – 26 – 30 – 34 – 39 – 45 Quick-change set Foot pedal or back stop device</p>



SEATS

Cabin parts

TVH has a wide range of seats, straight from the manufacturer. It is not just the make, the dimensions and the upholstery (PVC, fabric or velour) that matter: to ensure absolute comfort, you can personalise your seat with lots of options or accessories. As we have an extensive stock, we guarantee a short delivery period. For more detailed info, consult our **'Seats & accessories'** catalogue. In case you are specifically looking for a Grammer seat, you can consult the **'Grammer seats'** catalogue.



Seats & accessories catalogue
REF 27506014



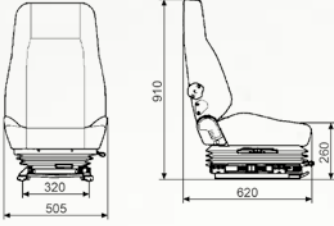

Grammer seats catalogue
REF 29127398

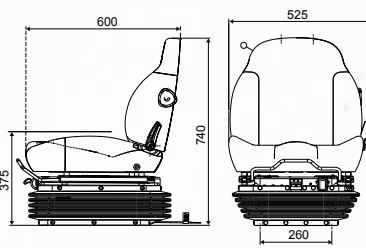

SEAT LS20/2			
		REF	DESCRIPTION
		123TA7618	Seat PVC + contact + seat belt
		123TA7674	Seat cushion + contact
		123TA7619	Backrest cushion in PVC
		106TA5147	Retractable seat belt

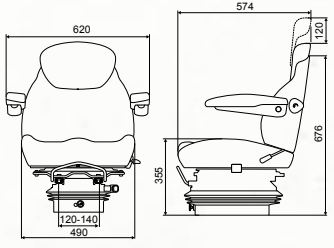

SEAT TS136			
		REF	DESCRIPTION
		141TA1590	Seat PVC + contact
		139TA6105	Seat PVC + seat belt
		140TA1741	Seat cushion PVC
		140TA8740	Seat cushion PVC + contact
		140TA1743	Backrest cushion PVC
		147TA3648	Static seat belt

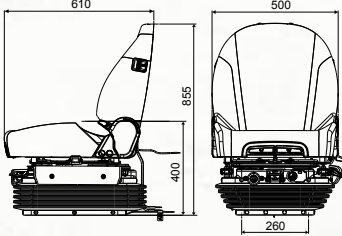

SEAT KAB XH2P2			
		REF	DESCRIPTION
KAB//Seating 		141TA7757	Seat PVC

SEAT KAB 211			
		REF	DESCRIPTION
KAB//Seating 		110TA8875	Seat PVC
		110TA8879	Seat PVC + seat belt
		110TA8883	Seat cushion cover PVC
		110TA8885	Seat cushion foam
		110TA8886	Backrest cushion cover PVC
		110TA8888	Backrest cushion foam
		110TA8889	Middle part cushion PVC
		141TA5229	ALR seat belt

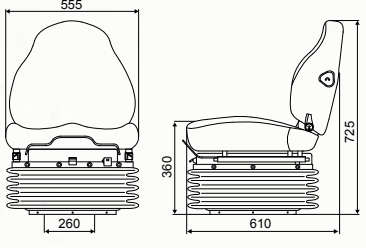

SEAT KAB 411			
		REF	DESCRIPTION
KAB//Seating		140TA8269	Seat fabric + contact + seat belt
		110TA8941	Seat cushion cover
		110TA8942	Seat cushion foam
		110TA8944	Backrest cover
		110TA8945	Backrest foam

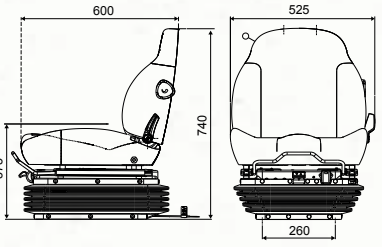

SEAT KAB 11E1			
		REF	DESCRIPTION
KAB//Seating		141TA7732	Seat fabric, mechanical suspension
		141TA7759	Headrest
		141TA7802	Seat belt
		141TA7803	Armrest kit


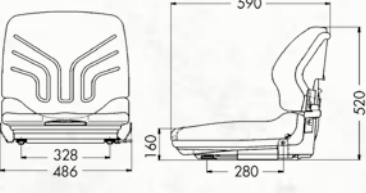

SEAT KAB 15E1			
		REF	DESCRIPTION
KAB//Seating		141TA7731	Seat fabric, air suspension 12 V
		141TA7759	Headrest
		141TA7802	Seat belt
		141TA7803	Armrest kit


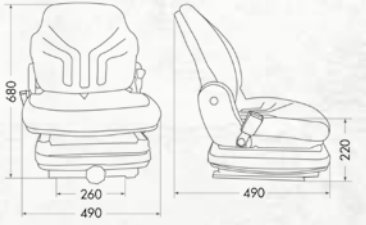

SEAT KAB 85K6			
		REF	DESCRIPTION
KAB//Seating		141TA7729	Seat fabric, heated, air suspension 12 V
		141TA7759	Headrest
		141TA7800	Seat belt
		141TA7801	Armrest kit

SEATS
Cabin parts




SEAT KAB 85E6			
		REF	DESCRIPTION
KAB//Seating		141TA7730	Seat fabric, air suspension 12 V
		141TA7759	Headrest
		141TA7802	Seat belt
		141TA7803	Armrest kit

SEAT KAB 11E6			
		REF	DESCRIPTION
KAB//Seating		141TA7758	Seat fabric, mechanical suspension
		141TA7759	Headrest
		141TA7802	Seat belt
		141TA7803	Armrest kit



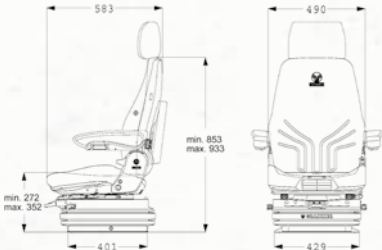
SEAT MSG20 - SUITABLE FOR BOMAG AND AMMAN			
		REF	DESCRIPTION
		110TA8675	Seat PVC + contact + seat belt
		147TA4632	Seat fabric + contact + seat belt
		110TA8681	Seat cushion PVC
		110TA8683	Backrest cushion PVC
		108TA4228	ALR seat belt
		144TA3684	Seat cushion fabric
		144TA3685	Backrest cushion fabric
		110TA8647	Seat switch kit NO/NC
		152TA2034	Safety switch

SEAT LOADER MSG85/721 - SUITABLE FOR VOLVO			
		REF	DESCRIPTION
		110TA8716	Seat PVC + seat belt
		110TA8718	Seat PVC + contact + seat belt
		145TA2630	Seat fabric + contact + seat belt
		110TA8720	Seat cushion PVC
		110TA8722	Backrest cushion PVC
		125TA6316	ELR seat belt
		145TA2631	Seat cushion fabric
		145TA2632	Backrest cushion fabric
		108TA8537	ALR seat belt
		145TA2703	Safety switch

ACTIMO M (MSG 85/722)


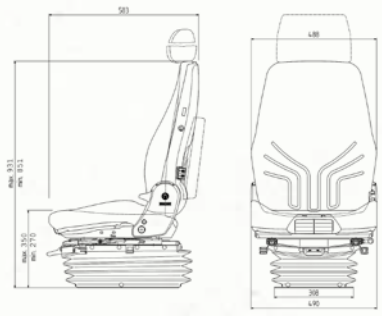

		REF	DESCRIPTION
			145TA2711 Seat fabric + switch (OPS) + seat belt, mechanical suspension
			141TA5033 Seat + control carriers LH + RH, mechanical suspension
		145TA2714 Seat cushion (490 mm)	
		145TA2715 Seat cushion (550 mm)	
		145TA2716 Backrest cushion	
		145TA2717 Headrest	
		145TA2718 Heating kit 12 V (490 mm)	
		145TA2719 Heating kit 12 V (550 mm)	
		145TA2720 Slide rails	
		141TA5031 Switch (OPS) with base plate	
		141TA4918 Armrest LH (65 x 270 mm)	
		141TA4917 Armrest RH (65 x 270 mm)	
		141TA4916 Armrest LH (80 x 380 mm)	
		141TA4915 Armrest RH (80 x 380 mm)	
		125TA6316 ELR LH seat belt	
		145TA2803 ELR RH seat belt	

ACTIMO XXL (MSG 97AL/722)


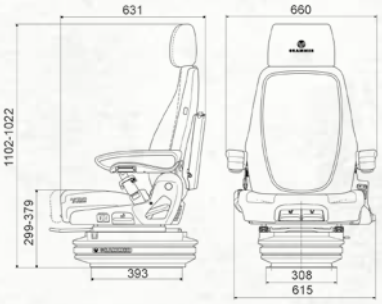

		REF	DESCRIPTION
			145TA2727 Seat + switch (OPS) + seat belt, air suspension 24 V
			145TA2728 Seat cushion (490 mm)
		145TA2729 Backrest cushion	
		145TA2717 Headrest	
		147TA5067 Heating kit 24 V (490 mm)	
		145TA2733 Slide rails	
		141TA5018 Switch (OPS) with base plate	
		141TA4918 Armrest LH (65 x 270 mm)	
		141TA4917 Armrest RH (65 x 270 mm)	
		141TA4916 Armrest LH (80 x 380 mm)	
		141TA4915 Armrest RH (80 x 380 mm)	
		125TA6316 ELR LH seat belt	
		145TA2803 ELR RH seat belt	
		141TA4915 Armrest RH (80 x 380 mm)	
		125TA6316 ELR LH seat belt	
		145TA2803 ELR RH seat belt	

SEATS
Cabin parts


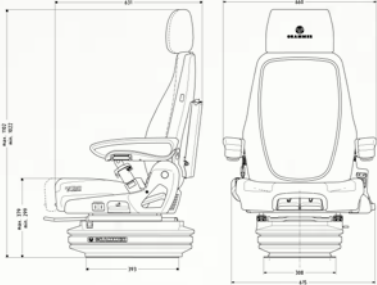

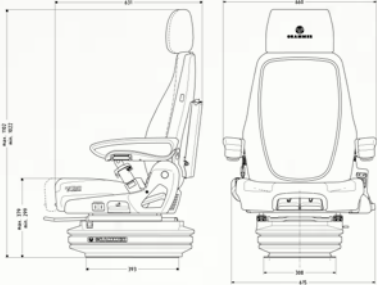
ACTIMO XL (MSG 95A/722)

		REF	DESCRIPTION
		145TA2721	Seat + switch (OPS) + seat belt, air suspension 12 V
		145TA2722	Seat + switch (OPS) + seat belt, air suspension 24 V
		147TA4635	Seat + switch (OPS) + seat belt and control carriers LH + RH, air suspension 24 V
		145TA2728	Seat cushion (490 mm)
		145TA2715	Seat cushion (550 mm)
		145TA2729	Backrest cushion
		145TA2717	Headrest
		145TA2725	Heating kit 24 V (490 mm)
		145TA2720	Slide rails
		141TA5018	Switch (OPS) with base plate
		141TA4918	Armrest LH (65 x 270 mm)
		141TA4917	Armrest RH (65 x 270 mm)
		141TA4916	Armrest LH (80 x 380 mm)
		141TA4915	Armrest RH (80 x 380 mm)
		125TA6316	ELR LH seat belt
		145TA2803	ELR RH seat belt


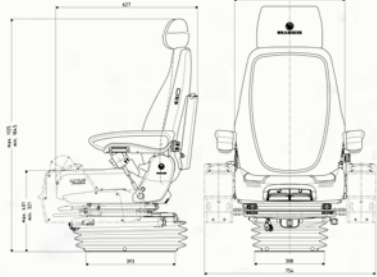

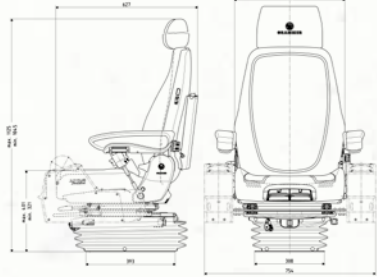
ACTIMO EVOLUTION (MSG 95EL/742) 12 V VERSION FOR WHEEL LOADER

		REF	DESCRIPTION
		145TA2734	Seat + switch (OPS) + seat belt Without arms (optional), air suspension 12 V
		152TA2054	Seat cushion
		145TA2735	Backrest cushion
		145TA2736	Headrest
		152TA2055	Slide rails
		145TA2738	Switch (OPS)
		147TA3469	Armrest LH
		147TA3470	Armrest RH


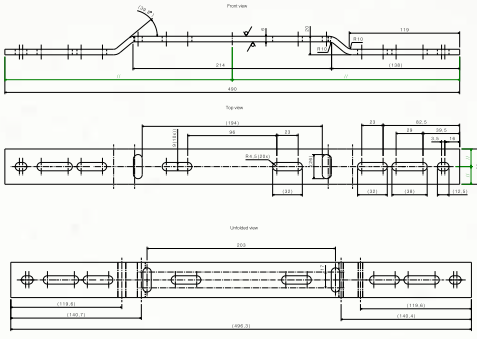
ACTIMO EVOLUTION (MSG 95EL/742) 24 V VERSION FOR WHEEL LOADER

		REF	DESCRIPTION
		145TA2743	Seat + switch (OPS) + seat belt Without arms (optional), air suspension 24 V
		152TA2056	Seat cushion
		152TA2057	Backrest cushion
		145TA2736	Headrest
		145TA2739	Slide rails
		145TA2738	Switch (OPS)
		147TA3469	Armrest LH
		147TA3470	Armrest RH

ACTIMO EVOLUTION (MSG 95EL/722) 12 V VERSION FOR EXCAVATOR







		REF	DESCRIPTION
		145TA2744	Seat + switch (OPS) + seat belt and control carriers LH + RH, air suspension 24 V
		145TA2747	Seat cushion
		145TA2741	Backrest cushion
		145TA2736	Headrest
		145TA2749	Slide rails
		145TA2738	Switch (OPS)
		147TA3469	Armrest LH
		147TA3470	Armrest RH

SEATS
Cabin parts




MOUNTING KIT			
		REF	DESCRIPTION
		143TA7739	Universal seat mounting kit

ACCESSORIES

SEAT BELTS

	REF	DESCRIPTION
	147TA3651	ALR seat belt, black webbing + contact
	126TA6068	ALR seat belt, orange webbing + contact
	139TA5238	ELR left hand seat belt, orange webbing + contact
	145TA2803	ELR right hand seat belt, black webbing
	151TA2268	ALR springbelt, orange electric
	151TA2269	ELR left hand, orange electric

DOCUMENT HOLDERS

	REF	DESCRIPTION
	106TA6801	Tube in PVC Supplied with mounting brackets Dimensions: 370 x 70 mm
	107TA7951	Format A5
	143TA7519	Watertight with safety symbol Length: 317 mm Inner diameter: 56 mm Used for A4-files



MIRRORS
Cabin parts

Discover our mirrors for different kind of applications. Choose the item that best fits your needs from our wide product range. Most of them are E-approved. All our mirrors are universal and can therefore be used on any industrial machine. Consult our **'Consumables & accessories'** catalogue with **REF 21713862** (starting from page 1252) for a detailed view of our mirror range.

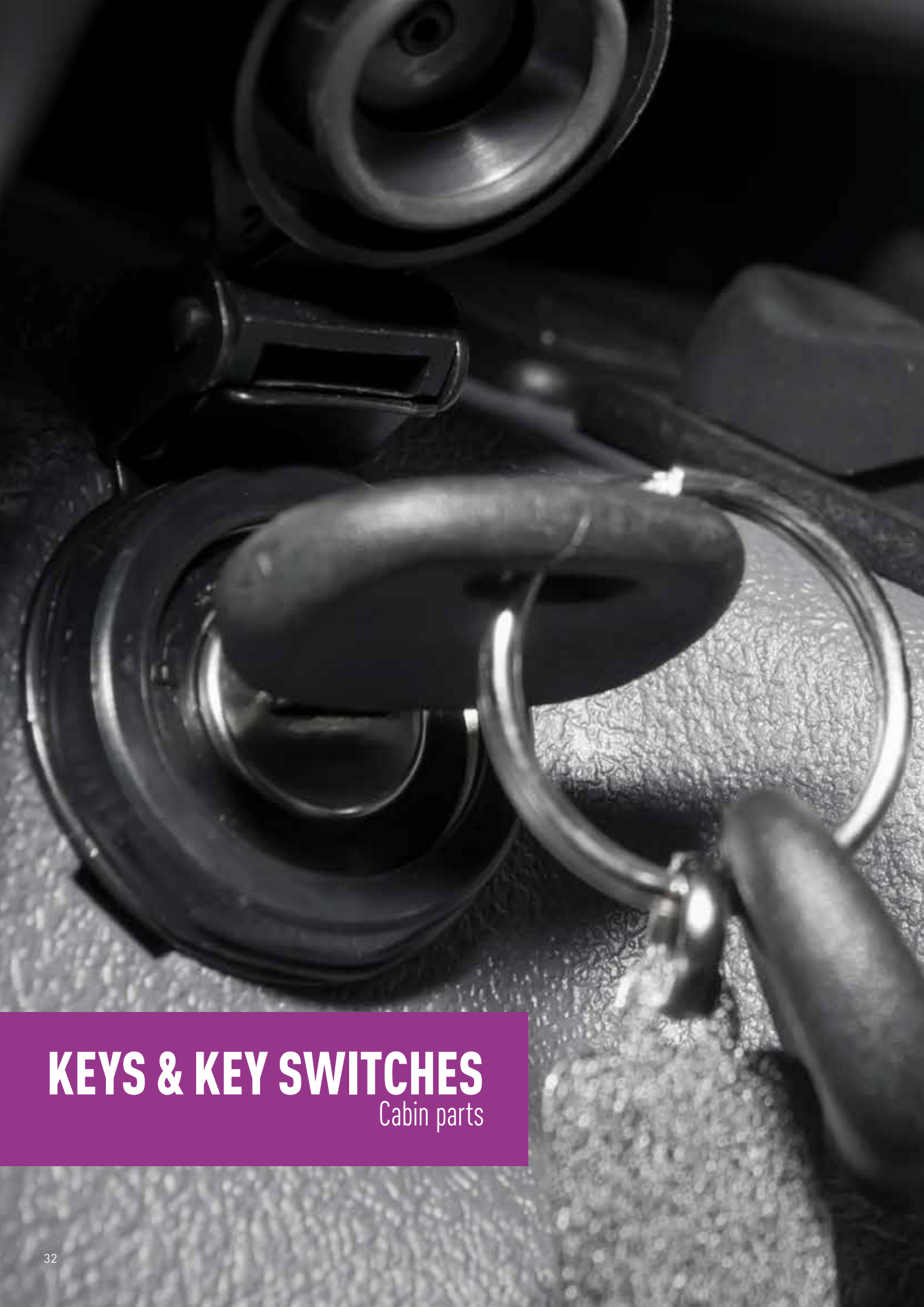
MIRRORS					
FRONT	BACK	REF	MATERIAL/SHAPE	DIMENSIONS (mm)	TECHNICAL DETAILS
		152TA1906	Glass/ multiple rectangular mirrors		Mounting kit with 3 mirrors
		152TA2013	Glass/rectangular	158 x 98	With mounting bracket M8
		152TA2020	Glass/rectangular	178 x 129	With mounting bracket M8
		152TA2027	Glass/rectangular	195 x 145	To mount on existing arms Diameter: 10 - 22 mm
		152TA2026	Glass/oval	203 x 118	To mount on existing arms Diameter: ± 10 mm
		152TA2025	Glass/rectangular	207 x 106	Universal mounting kit included
		152TA2024	Glass/rectangular	217 x 151	With mounting bracket M8
		152TA2021	Parabolic surface	220 x 130	With mounting bracket M8

MIRRORS					
FRONT	BACK	REF	MATERIAL/SHAPE	DIMENSIONS (mm)	TECHNICAL DETAILS
		152TA2023	Glass/rectangular	225 x 125	With mounting bracket M8
		152TA2016	Glass/rectangular	233 x 180	Mirror with bracket (RH-side)
		152TA2014	Glass/rectangular	233 x 272	Mirror with bracket (LH-side)
		152TA2030	Glass/rectangular	235 x 180	To mount on existing arms Diameter: ± 20 mm
		152TA2017	Glass/rectangular	238 x 139	Mounting kit included
		152TA2018	Glass/rectangular	242 x 144	With mounting bracket M8

MIRRORS

Cabin parts

MIRRORS					
FRONT	BACK	REF	MATERIAL/SHAPE	DIMENSIONS (mm)	TECHNICAL DETAILS
		152TA1905	Glass/rectangular	243 x 145	To mount on existing arms Diameter: ± 18 mm
		152TA2028	Glass/rectangular	244 x 158	Mirror with bracket (LH-side)
		152TA2012	Glass/rectangular	250 x 135	With mounting bracket M8
		152TA2022	Glass/oval	252 x 132	To mount on existing arms Diameter: ± 10 mm
		152TA2029	Glass/rectangular	265 x 164	To mount on existing arms Diameter: 10 - 22 mm
		152TA1907	Glass/rectangular	325 x 192	To mount on existing arms Diameter: 16 - 20 mm
		152TA2015	Glass/rectangular	326 x 174	With mounting bracket M10
		152TA1904	Glass/rectangular	360 x 213	To mount on existing arms Diameter: ± 20 mm
		152TA2019	Glass/rectangular	445 x 205	To mount on existing arms Diameter: ± 20 mm





KEYS & KEY SWITCHES

Cabin parts

Even your keys and key switches are available at TVH. In the catalogue 'Key switches', you will find an overview of all key switches by brand, a complete range of keys and the electronic code switch. Below you get a small selection that may fit your machine. Order **REF 19949421** to receive the catalogue 'Key switches' with your next shipment.

KEYS							
	REF	KEY N°	TECHNICAL DETAILS		REF	KEY N°	TECHNICAL DETAILS
	152TA1728	787			152TA1739	E30 Bosch	
	152TA1729	14603			161TA5801		Set of 2 Indak keys Suitable for Powerboss
	152TA1730	455			161TA5802	92274	
	152TA1731	4241A			161TA5803	H800	Suitable for Hitachi
	152TA1733	9901			161TA5804		Suitable for Caterpillar
	152TA1734	14607			161TA5805	9901	Set of 2 keys
	152TA1735		Set of 2 keys Suitable for Yanmar		141TA2679	6896	Set of 2 keys Suitable for Linde - Lansing
	140TA8266		Suitable for Takeuchi		161TA5806	3095	
	152TA1736	D250			161TA5807		Suitable for AUSA
	152TA1737	202			161TA5808	459A	Set of 2 keys
	152TA1738	CH751			152TA1732	LUCAS	
	128TA5843	M516	Set of 2 keys				

KEY SWITCHES										
	REF	KEY N°	REF OF KEY	CONN	TYPE CONN	POS	DIA (mm)	TOTAL LENGTH (mm)	ANTI-RESTART	
	152TA1740	14603	152TA1729	10	BC	5	26	78	No	
	152TA1741	LUCAS	152TA1732	7	BC	4	16	65	No	

If the key number is not mentioned, there is no reference on the key or the key switch is supplied with different key numbers.

A close-up photograph of a window hinge mechanism on a vehicle frame. The hinge is a dark, cylindrical component with a central bolt and nut, mounted on a metal frame. The background shows the structural elements of the vehicle's body, including various beams and panels, in a light, slightly blurred setting.

WINDOW PARTS

Cabin parts

Did you know that TVH also has an extensive range of windshields, glazing and accessories for your telehandlers, rough terrain forklifts, mini-excavators and skid steer loaders? Below you can already find a small selection of references. Interested in more glazing and accessories? Have a look in our **'Windshields & glazing'** special **REF 21497051** and discover a wide selection of windshields, glazing and accessories, suitable for various makes or go to downloads on www.tvh.com to find all catalogues, brochures and movies.



WINDOWS



Front, rear, roof, side and sliding windows for various industrial machines, telehandlers and earth-moving machinery. We offer you the following windows:






- tempered and laminated glass
- clear, green, bronze or grey-tinted
- curved or flat glass
- with or without screen print
- pre-drilled

WIPER BLADES


	REF	TYPE	LENGTH (mm)
	161TA7073	Universal	280
	152TA2302	Universal	300
	152TA2303	Universal	330
	152TA2304	Universal	350
	161TA7074	Universal	380
	152TA2312	Universal	400
	152TA2313	Universal	450
	161TA7075	Universal	480
	152TA2314	Universal	500
	152TA2315	Universal	550
	152TA2305	Universal	600
161TA7076	Universal	700	
	152TA2309	16.5 - Saddle type	500
	152TA2310	16.5 - Saddle type	600
	152TA2311	16.5 - Saddle type	650
	152TA2316	16.5 - Saddle type	700
	152TA2317	16.5 - Saddle type	800

WIPER ARMS


SINGLE WIPER ARMS

	REF	LENGTH (mm)	DIAMETER (mm)
	152TA2318	300 - 400	6
	152TA2319	400 - 500	6
	152TA2320	300 - 400	8 - 6
	152TA2321	400 - 500	8 - 6
	152TA2322	400 - 500	10 - 8

PARALLEL WIPER ARMS DOUBLE

	REF	TYPE	LENGTH (mm)	DIAMETER (mm)
	152TA2342	16.5 - Saddle type	400 - 500	8 - 6 & M8
	152TA2323	16.5 - Saddle type	500 - 600	8 - 6 & M8
	152TA2324	16.5 - Saddle type	500	12 - 8 (2x)
	152TA2343	16.5 - Saddle type	550	12 - 8 (2x)
	152TA2344	16.5 - Saddle type	600	12 - 8 (2x)
	152TA2345	16.5 - Saddle type	650	12 - 8 (2x)
	152TA2346	16.5 - Saddle type	680	12 - 8 (2x)
	152TA2325	16.5 - Saddle type	700	12 - 8 (2x)
	152TA2347	16.5 - Saddle type	800	12 - 8 (2x)

WIPER MOTORS

	REF	VOLT	WIPING ANGLE	AXLE 1 (mm)	AXLE 2 (mm)	SWITCH
	152TA2326	12	80°	M12/A8xM6 - 79	M8 - 55	Yes
	152TA2327	24	80°	M12/A8xM6 - 79	M8 - 55	Yes
	152TA2348	12	90°	M12/A8xM6 - 79	M8 - 55	Yes
	152TA2349	24	90°	M12/A8xM6 - 79	M8 - 55	Yes
	152TA2328	12	110°	M12/A8xM6 - 79	M8 - 55	Yes
	152TA2350	24	110°	M12/A8xM6 - 79	M8 - 55	Yes

Extra info: 1 speed, automatic park position, with thermal cut-off

WINDOW PARTS

Cabin parts

WIPER MOTORS

	REF	VOLT	WIPING ANGLE	AXLE 1 (mm)	AXLE 2 (mm)	SWITCH
	152TA2351	12	60°-70°-80°	M20/A12xM8 - 110	M20/A12xM8 - 110	No
	152TA2329	24	60°-70°-80°	M20/A12xM8 - 110	M20/A12xM8 - 110	No
Extra info: 2 speeds, adjustable wiping angle, automatic park position, thermal cut-off						
	152TA2352	12	70°	M16/A8xM6 - 69	M8 - 55	Yes
	152TA2353	12	90°	M16/A8xM6 - 69	M8 - 55	Yes
	152TA2354	12	90°	M16/A8xM6 - 69	M8 - 55	No
	152TA2355	24	90°	M16/A8xM6 - 69	M8 - 55	Yes
	152TA2330	24	90°	M16/A8xM6 - 69	M8 - 55	No
Extra info: 1 speed, automatic park position, with thermal cut-off						
	REF	VOLT	WIPING ANGLE	AXLE 1(mm)	AXLE 2 (mm)	PARK
	152TA2331	12	85°	M16/A8xM6 - 69	M8 - 33	Left
	152TA2332	12	90°	M16/A8xM6 - 69	M8 - 33	Right
	152TA2333	12	90°	M16/A8xM6 - 69	M8 - 33	Left
	152TA2334	12	110°	M16/A8xM6 - 69	M8 - 33	Left
	152TA2335	12	110°	M16/A10xM6 - 69	M8 - 33	Left
Extra info: 1 speed, automatic park position, without thermal cut-off						
	152TA2336	12	60°	M20/A12xM8 - 108	M16/A10xM8 - 108	Left
	152TA2337	24	75°	M20/A12xM8 - 108	M16/A10xM8 - 108	Right
	152TA2338	12	80°	M20/A12xM8 - 75	M16/A10xM8 - 75	Left
	152TA2339	24	80°	M20/A12xM8 - 75	M16/A10xM8 - 75	Left
	152TA2340	12	80°	M20/A12xM8 - 108	M16/A10xM8 - 108	Left
	152TA2341	24	80°	M20/A12xM8 - 108	M16/A10xM8 - 108	Left
Extra info: 2 speeds, automatic park position, with thermal cut-off						


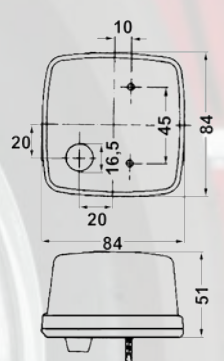





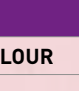

ACCESSORIES

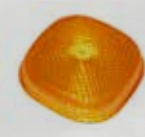

	REF	DESCRIPTION		REF	DESCRIPTION
	152TA2296	Black screen putty		152TA2299	Rubber profile
	152TA2297	Work tool		152TA2300	Rubber profile
	152TA2298	Cartridge gun		152TA2301	Antifreeze screenwash



LIGHTS




We can offer you a wide range of different types of lights, using various technologies (LED, xenon, halogen ...). For most of them, you can choose an E-approved version in case your machine will drive on public roads. Download our 'LED lights' product special via www.tvh.com/downloads or order with **REF 22775197** for a complete overview of our product range. If you are looking for bulbs, you can identify the right bulb in our catalogue 'Bulbs' with **REF 21497415**. In this catalogue all bulbs are grouped by fitting types, so you can easily find the right bulb.



UNIVERSAL LIGHTS - SINGLE FUNCTION			
			REF DESCRIPTION
 	 E-approved	161TA5984	Indicator light without bulb, amber
		161TA5985	Bulb, 12 V
		161TA5986	Bulb, 24 V
	 E-approved	161TA5987	Replacement lens
		161TA5988	Rear light without bulb, red
		161TA5989	Bulb, 12 V
	 E-approved	161TA5990	Bulb, 24 V
		161TA5991	Replacement lens
		161TA5992	Stop light without bulb, red
	 E-approved	161TA5993	Bulb, 12 V
		161TA5994	Bulb, 24 V
		161TA5991	Replacement lens
 E-approved	161TA5995	Reversing light without bulb, clear	
	161TA5985	Bulb, 12 V	
	161TA5986	Bulb, 24 V	
 E-approved	161TA5996	Replacement lens	
	161TA5997	Rear light without bulb, clear	
	161TA5989	Bulb, 12 V	
 E-approved	161TA5990	Bulb, 24 V	
	161TA5998	Replacement lens	


LENSES			
	REF	COLOUR	TECHNICAL DETAILS
	161TA5999	Red	L x W x H: 105 x 105 x 28 mm
	161TA6000	Orange	L x W x H: 105 x 105 x 28 mm
	161TA6001	White	L x W x H: 105 x 105 x 28 mm
	161TA6002	Fog light lens	L x W x H: 105 x 105 x 28 mm

WORKLIGHTS			
	REF	DESCRIPTION	TECHNICAL DETAILS
	161TA6003	Worklight	L x W x H: 150 x 90 x 100 mm
	161TA6004	Bulb	H3, 12 V, 55 W
	161TA6005	Worklight	L x W x H: 112 x 112 x 90 mm
	161TA6004	Bulb	H3, 12 V, 55 W
	161TA6006	Worklight	L x W x H: 113 x 110 x 93 mm
	161TA6007	Bulb	H3, 24 V, 70 W
	161TA6008	Worklight	Without bulb L x W x H: 112 x 112 x 93 mm
	161TA6009	Worklight	Without bulb Diameter: 136 mm Height: 105 mm
	161TA6010	Bulb	12 V, 40/45 W
	161TA6011	Bulb	12 V, 2 W
	161TA6012	LED flood beam	9 - 32 V 15 W LED: 5 pieces Light output: 1150 lumen Aluminium housing Plastic lens With 4-point mounting bracket L x W x H: 109,2 x 125 x 42,7 mm IP68
	161TA6013	LED spot beam	
	161TA6014	LED flood beam	9 - 32 V 18 W LED: 6 pieces Light output: 1350 lumen Aluminium housing Plastic lens With 4-point mounting bracket Diameter: 105,5 mm IP68

LIGHTS

WORKLIGHTS			
	REF	DESCRIPTION	TECHNICAL DETAILS
	161TA6017	LED spot beam	12 - 48 V 18 W LED: 6 pieces Light output: 1350 lumen Aluminium housing Plastic lens With 4-point mounting bracket Diameter: 106 mm IP68
	161TA6018	LED flood beam	9 - 32 V 27 W LED: 9 pieces Light output: 1650 lumen Aluminium housing Plastic lens With 4-point mounting bracket Diameter: 116 mm IP68
	161TA6019	LED spot beam	
	161TA6020	LED flood beam	9 - 32 V 27 W LED: 9 pieces Light output: 1650 lumen Aluminium housing Plastic lens With 4-point mounting bracket L x W x H: 127 x 109 x 61 mm IP68
	161TA6021	LED spot beam	

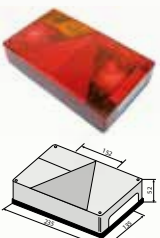


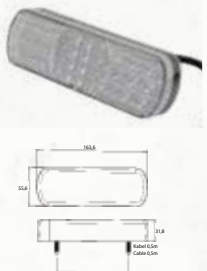
NUMBER PLATE LIGHTS			
	REF	DESCRIPTION	TECHNICAL DETAILS
	161TA6022	Number plate light, without bulb	L x W x H: 102,5 x 57 x 55 mm
	161TA6023	Bulb	12 V
	161TA6024	Bulb	24 V
	161TA6025	Number plate light, without bulb	L x W x H: 83 x 30 x 29 mm
	161TA6026	Bulb	12 V
	161TA6027	Bulb	24 V


REVERSING LIGHT			
	REF	DESCRIPTION	TECHNICAL DETAILS
	161TA6028	Reversing light, without bulb	L x W x H: 120 x 80 x 54 mm
	161TA5993	Bulb	12 V
	161TA5994	Bulb	24 V


REAR LIGHTS

		REF	DESCRIPTION	TECHNICAL DETAILS	
	E-approved	161TA6029	Stop, position, indicator, reverse, fog, reflector combination light	Without bulbs L x W x H: 350 x 129 x 97 mm	
		161TA6030	Lens		
		161TA5993	Bulb		12 V, 21 W (4x)
		161TA6031	Bulb		12 V, 10 W (2x)
		161TA5994	Bulb		24 V, 21 W (4x)
		161TA6033	Bulb		24 V, 10 W (2x)
 	E-approved	161TA6034	Stop, rear, indicator, reverse combination light (RH-side)	Without bulbs L x W x H: 210 x 108 x 66 mm	
		161TA6035	Lens		
		161TA6036	Stop, rear, indicator, reverse combination light (LH-side)		
		161TA6037	Lens		
		161TA6038	Stop, rear, indicator, fog combination light (LH-side)		
		161TA6039	Lens		
		161TA5993	Bulb		12 V, 21 W (3x)
		161TA6031	Bulb		12 V, 10 W (1x)
		161TA5994	Bulb		24 V, 21 W (3x)
		161TA6033	Bulb		24 V, 10 W (1x)
	E-approved	161TA6040	Stop, rear, indicator combination light (LH-side)	Without bulbs L x W x H: 170 x 75 x 62 mm 12-24 V	
		161TA6041	Lens (LH-side)		
		161TA6042	Stop, rear, indicator combination light (RH-side)		
		161TA6043	Lens (RH-side)		
		161TA6031	Bulb		12 V, 10 W
		161TA6044	Bulb		12 V (2x), 21 W
		161TA6033	Bulb		24 V, 10 W
		161TA5994	Bulb		24 V (2x), 21 W
	E-approved	161TA6045	Stop, rear, indicator combination light	With bulb L x W x H: 200 x 90 x 60 mm 12 V	
		161TA6046	Lens		
	E-approved	161TA6047	Stop, rear, indicator combination light	With bulb L x W x H: 186 x 66 x 55 mm 12 V	
		161TA6048	Lens		

LIGHTS

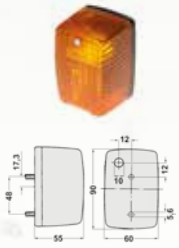
REAR LIGHTS				
		REF	DESCRIPTION	TECHNICAL DETAILS
	E-approved	161TA6049	Stop, rear, indicator, fog, reflector and licence plate combination light (LH-side)	With bulbs L x W x H: 239 x 139 x 68,5 mm 12 V
		161TA6050	Stop, rear, turn indicator, reverse, license plate, reflector combination light (RH-side)	
		161TA5993	Bulb	12 V, 21 W (2x)
		161TA6051	Bulb	12 V, 21/5 W (1x)
		161TA6052	Bulb	12 V, 5 W (1x)
	E-approved	161TA6053	Stop, rear, indicator, reverse and reflector combination light (RH-side)	With bulbs and Deutsch plug L x W x H: 225 x 122 x 72,9 mm 12 V
		161TA6054	Stop, rear, indicator, fog and reflector combination light (LH-side)	
		161TA5993	Bulb	12 V, 21 W (3x)
		161TA6031	Bulb	12 V, 21 W (3x)
		161TA6055	Spare lens (RH-side)	
		140TA8791	Spare lens (LH-side)	
	E-approved	161TA6056	LED stop, rear, indicator combination light	L x W x H: 150 x 80 x 45 mm
		161TA6057	Indicator light	12 V
		161TA6058	Indicator light	24 V
	E-approved	138TA8150	Stop, rear, indicator and reverse combination light LED, horizontal mounting	L x W x H: 160 x 55 x 32 mm 12-24 V
		138TA8151	Stop, rear, indicator and reverse combination light LED, vertical mounting	
		161TA6057	Flashing unit turn indicator	12 V
		161TA6058	Flashing unit turn indicator	24 V



TRAILER REAR LIGHT				
		REF	DESCRIPTION	TECHNICAL DETAILS
	E-approved	161TA6102	Trailer light without bulb	L x W x H: 120 x 80 x 54 mm
		161TA5993	Bulb	12 V, 21 W
		161TA6051	Bulb	12 V, 21/5 W
		161TA5994	Bulb	24 V, 21 W
		161TA6103	Bulb	24 V, 21/5 W



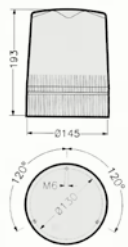


FRONT LIGHTS				
		REF	DESCRIPTION	TECHNICAL DETAILS
	E-approved	161TA6059	Front light (LH-side)	L x W x H: 230 x 150 x 120 mm 12 V
		161TA6060	Front light (RH-side)	
		161TA6061	Bulb	H4, 12 V, 60/55 W
		161TA5993	Bulb	12 V, 21 W
		161TA6062	Bulb	12 V, 4 W



FRONT LIGHTS				
		REF	DESCRIPTION	TECHNICAL DETAILS
	E-approved	161TA6064	Front light (LH-side)	L x W x H: 213 x 150 x 103 mm 12 V
		161TA6063	Front light (RH-side)	
	E-approved	161TA6065	Front light (LH-side)	L x W x H: 215 x 150 x 125 mm 12 V
		161TA6066	Front light (RH-side)	
		161TA6067	Front light (LH-side)	L x W x H: 212 x 150 x 100 mm 12 V
		161TA6068	Front light (RH-side)	
	E-approved	161TA6070	Front light (LH-side)	L x W x H: 225 x 150 x 90 mm 12 V
		161TA6069	Front light (RH-side)	
		161TA6071	Bulb	H7, 12 V, 55 W
		161TA6004	Bulb	H3, 12 V, 55 W
		161TA6062	Bulb	12 V, 4 W
		161TA6044	Bulb	12 V, 21 W
	E-approved	140TA8788	Front light (LH-side)	L x W x H: 230 x 160 x 147 mm Body: polyamide Lens: glass Front light cluster: head Pilot, parking, indicator combination light Mounting: M10 12 V
		140TA8789	Front light (RH-side)	
		161TA6072	Bulb	H4 12 V, 60/55 W
		161TA6073	Bulb	12 V, 21 W, amber
		161TA6062	Bulb	12 V, 4 W
		FRONT LIGHT COMBINATION		
	E-approved	161TA6074	Front light combination	Without bulbs L x W x H: 105 x 97 x 52 mm
		161TA5993	Bulb	12 V, 21 W
		161TA6075	Bulb	12 V, 5 W
		161TA5994	Bulb	24 V, 21 W
		161TA6076	Bulb	24 V, 5 W
		161TA6077	Replacement lens	Amber
	E-approved	161TA6114	Front light combination	Without bulbs H x D: 50 x 82 mm
		161TA5993	Bulb	12 V, 21 W
		161TA6117	Bulb	12 V, 5 W
		161TA5994	Bulb	24 V, 21 W
		161TA6116	Bulb	24 V, 5 W
		161TA6115	Replacement lens	Amber

LIGHTS


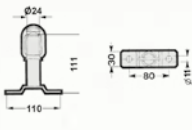

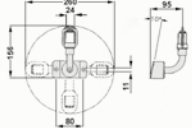

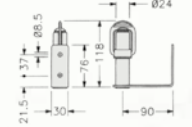
INDICATOR LIGHTS				
		REF	DESCRIPTION	TECHNICAL DETAILS
	E-approved	106TA1273	Indicator light (LH-side)	Without bulbs L x W x H: 86 x 60 x 55 mm
		105TA4888	Indicator light (RH-side)	
		100TA2215	Bulb	12 V, 21 W
		103TA4603	Bulb	24 V, 21 W
		103TA4587	Bulb	24 V, 5 W
		161TA6077	Replacement lens	Amber


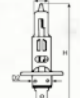

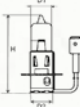







ROTATING LIGHTS				
		REF	DESCRIPTION	TECHNICAL DETAILS
	E-approved	161TA6080	Rotating beacon	With bulb H x D: 133 x 114 mm 12 V
		161TA6081	Bulb	H1, 12 V, 55 W
	E-approved	161TA6082	Rotating beacon	With bulb H x D: 190 x 147 mm 12 V, 55 W
		161TA6083	Rotating beacon	With bulb 24 V, 70 W
		161TA6084	Rotating beacon	Without bulb 12-24 V
		161TA6081	Bulb	H1, 12 V, 55 W
		161TA6085	Bulb	H1, 24 V, 70 W
		161TA6086	Lens	Amber
		161TA6087	Lens	Blue
		161TA6088	Lens	Green
	E-approved	106TA9130	Lens	Red
		161TA6089	Rotating beacon (flexible mount)	Without bulb H x D: 237 x 152 mm 12 V, 55 W
		161TA6090	Rotating beacon (flexible mount)	Without bulb 24 V, 70 W
		161TA6091	Rotating beacon (flexible mount)	Without bulb 12-24 V
		161TA6092	Replacement lens	Amber
		161TA6081	Bulb	H1, 12 V, 55 W
	E-approved	161TA6085	Bulb	H1, 24 V, 70 W
		140TA8757	Rotating beacon	With bulb H x D1 x D2 x L: 177 x 152 x 127 x 105 mm 12 V, 55 W
		161TA6093	Rotating beacon	Without bulb 12/24 V H x D1 x D2 x L: 177 x 152 x 127 x 105 mm
		140TA8762	Replacement lens	Amber With 12/24V DC adapter
		161TA6081	Bulb	H1, 12 V, 55 W
		161TA6085	Bulb	H1, 24 V, 70 W

ROTATING LIGHTS				
		REF	DESCRIPTION	TECHNICAL DETAILS
	E-approved	140TA8759	Rotating beacon magnetic base	With bulb H x D1 x D2: 179 x 153 x 121 mm 12 V, 55 W With 12/24V DC adapter
		161TA6094	Rotating beacon magnetic base	Without bulb H x D1 x D2: 177 x 152,5 x 126 mm 12/24 V With 12/24V DC adapter
		140TA8762	Replacement lens	Amber With 12/24V DC adapter
		161TA6081	Bulb	H1, 12 V, 55 W
		161TA6085	Bulb	H1, 24 V, 70 W
		161TA6095	Rotating beacon multivoltage	Without bulb H x D1 x D2 x L: 190 x 147 x 144 x 105,5 mm 12-80 V
		161TA6096	Bulbs	BA 20 S, 12 V
		161TA6097	Bulbs	BA 20 S, 24 V
		161TA6098	Bulbs	BA 20 S, 36 V
		161TA6099	Bulbs	BA 20 S, 47 V
		161TA6100	Bulbs	BA 20 S, 72-80 V
		161TA6086	Lens	Amber
		161TA6087	Lens	Blue
		161TA6088	Lens	Green
		106TA9130	Lens	Red
		161TA6101	LED rotating beacon	12 - 110 V Screw-off polycarbonate lens H x D1 x D2 x L: 120 x 148 x 110 x 107 mm

ACCESSORIES		
	REF	DESCRIPTION
	161TA6112	Magnetic base for REF 161TA6101 (see above)
	161TA6113	Light guard for REF 161TA6101 (see above)

LIGHTS

BRACKETS			
		REF	DESCRIPTION
		161TA6109	Mounting bracket
		161TA6110	Adjustable mounting bracket
		161TA6111	Lateral mounting bracket






BULBS							
HALOGEN							
		REF	VOLT (V)	WATT 1 (W)	WATT 2 (W)	FITTING	ECE
		161TA6081	12	55		P14,5s	H1
		161TA6085	24	70		P14,5s	H1
		161TA6105	12	55		PK22s	H3
		161TA6106	24	70		PK22s	H3
		161TA6072	12	60	55	P43t-38	H4
		161TA6107	12	100	90	P43t-38	H4
		161TA6108	24	75	70	P43t-38	H4
		161TA6071	12	55		PX26d	H7
		161TA6104	24	70		PX26d	H7
INCANDESCENT							
		122TA9113	12	21		BA15s	P21W
		103TA4603	24	21		BA15s	P21W
		123TA7988	12	21	5	BAY15d	P21/5W
		123TA7989	24	21	5	BAY15d	P21/5W
		103TA4575	12	4		BA9s	T4W
		106TA4840	24	4		BA9s	T4W
		103TA4555	12	5		W2,1x9,5d	W5W
		100TA2148	24	5		W2,1x9,5d	W5W



ELECTRICAL PARTS



All small but important accessories for your machines: hour meters, back-up alarms, access control systems, battery discharge indicators, lights, horns, weighing systems, speed limiters, shock detectors ...

HOUR METERS						
ANALOGUE						
	REF	VOLT	DIA (mm)	HOURS	QUARTZ	TECHNICAL DETAILS
	152TA2519	12-80	52	9999.9	Yes	Easy installation / +- connection Adapter rings REF106TA1178 Adapter ring for the conversion of 52 mm gauges to 60 mm diameter REF106TA1179 Adapter ring for the conversion of 52 mm gauges to 72 mm diameter
	152TA2520	12-48	22 x 37	999 999.9	Yes	+ - connection
	152TA2521	12-80	52	999 999.9	Yes	Easy installation / +- connection
	152TA2522	12-80	60	999 999.9	Yes	Easy installation / +- connection
DIGITAL						
	152TA2523	12-80	52	99 999.9	Yes	Pin 1 +, pin 2 -, pin 3 l
	152TA2524	48-150	52	99 999.9	Yes	Pin 1 +, pin 2-, pin 3 l
	152TA2525	12-48	24 x 37	99 999.9	Yes	Pin 1 +, pin 2-, pin 3 l
	152TA2526	12-80	52	99 999.9	Yes	
DIGITAL TACH						
	141TA1563		8	9999	Crystal	Wide operating temperature range No need for a power supply













UNIVERSAL FUEL LEVEL INDICATOR SET						
		REF	DESCRIPTION	DIA (mm)	TECHNICAL DETAILS	
		152TA2527	Complete kit (gauge and fuel level sender)			
		152TA2528	Gauge	52		
		152TA2529	Fuel level sender		Can be adapted to any type of fuel tank	

ELECTRICAL EQUIPMENT		
	REF	DESCRIPTION
	152TA2530	Electric pump
	152TA2531	Engine stop solenoid
	152TA2532	Engine stop solenoid
	152TA2533	Engine stop solenoid
	152TA2534	Engine stop solenoid
	152TA2535	Engine stop solenoid
	152TA2536	Solenoid fuel injection
	152TA2541	Fuel feed pump, 12 V

ELECTRICAL PARTS

BATTERY CABLES			
	REF	MM ²	COLOUR
	152TA2544	10	Black
	152TA2545	16	Black
	161TA7965	25	Black
	152TA2547	35	Black
	152TA2548	50	Black
	152TA2549	70	Black
	152TA2550	95	Black
	152TA2551	10	Orange
	152TA2552	16	Orange
	152TA2553	25	Orange
	152TA2554	35	Orange
	152TA2555	50	Orange
	152TA2556	70	Orange
	152TA2557	95	Orange

Sold per Metre - Rated voltage U₀/U 100/100 V - In conformity with DIN VDE0472 - Extra flexible

BATTERY TERMINALS							
	REF/PIECE	TYPE	TYPE TOURISM	TYPE DIESEL	SCREW	SECTION (mm ²)	DIA (mm)
	152TA2624	Positive				70 - 95	
	152TA2625	Negative				70 - 95	
BOLT-ON BATTERY TERMINALS							
	152TA2626	Positive					17.5
	152TA2627	Negative					15.9
	152TA2628	Positive			M8		17.5
	152TA2629	Positive			M10		17.5
	152TA2630	Negative			M8		15.9
	152TA2631	Negative			M10		15.9
	152TA2632		Positive			35	
	152TA2633		Negative			35	
	152TA2634			Positive		50	
	152TA2635			Negative		50	



PVC-INSULATED SINGLE-CORE CABLES

VTB-S/VOB-S - SOLD IN BOXES PER 100 METRES

REF/BOX (100 m)	COLOUR	SECTION (mm ²)	REF/BOX (100 m)	COLOUR	SECTION (mm ²)
152TA2558	Yellow	0.34	152TA2592	Blue	1.5
152TA2559	Red	0.34	152TA2593	Brown	1.5
152TA2560	Blue	0.34	152TA2594	Yellow	1.5
152TA2561	Brown	0.34	152TA2595	Green/Yellow	1.5
152TA2562	Grey	0.34	152TA2596	Grey	1.5
152TA2563	Pink	0.34	152TA2597	Green	1.5
152TA2564	Violet	0.34	152TA2598	Orange	1.5
152TA2565	White	0.34	152TA2599	Violet	1.5
152TA2566	Green	0.34	152TA2600	Red	1.5
152TA2567	Black	0.34	152TA2601	White	1.5
152TA2568	Grey	0.50	152TA2602	Black	1.5
152TA2569	Green/Yellow	0.50	152TA2603	Blue	2.5
152TA2570	Red	0.50	152TA2604	Orange	2.5
152TA2571	Green	0.50	152TA2605	Brown	2.5
152TA2572	White	0.50	152TA2606	Green/Yellow	2.5
152TA2573	Yellow	0.50	152TA2607	Yellow	2.5
152TA2574	Blue	0.50	152TA2608	Grey	2.5
152TA2575	Orange	0.50	152TA2609	Green	2.5
152TA2576	Brown	0.50	152TA2610	Red	2.5
152TA2577	Violet	0.50	152TA2611	Violet	2.5
152TA2578	Black	0.50	152TA2612	White	2.5
152TA2579	Blue	0.75	152TA2613	Black	2.5
152TA2580	Brown	0.75	152TA2614	Brown	4
152TA2581	Yellow	0.75	152TA2615	Grey	4
152TA2582	Green/Yellow	0.75	152TA2616	Red	4
152TA2583	Grey	0.75	152TA2617	White	4
152TA2584	Green	0.75	152TA2618	Black	4
152TA2585	Orange	0.75	152TA2619	Blue	6
152TA2586	Red	0.75	152TA2620	Brown	6
152TA2587	Violet	0.75	152TA2621	Grey	6
152TA2588	White	0.75	152TA2622	Red	6
152TA2589	Black	0.75	152TA2623	Black	6
152TA2590	Black	1			
152TA2591	Brown	1			

ELECTRICAL PARTS

FUSE KIT

REF 152TA2690




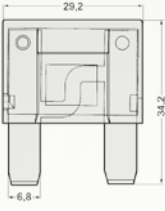
DIN 72581 / MED	QTY	AMP	DIN 72581 / 1	QTY	AMP
	10	5		10	5
	10	7,5		50	8
	50	10		50	16
	50	15		10	25
	25	20			
	10	25			
	25	30			
DIN 41661 / RAPIDE	QTY	AMP	DIN 41668 / RAPIDE	QTY	AMP
	25	2		25	10
	10	5		25	15
				15	20

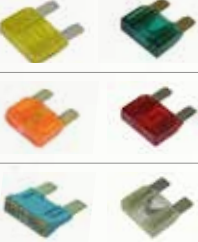
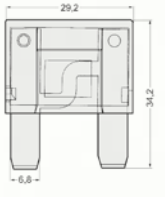
ACCESSORIES


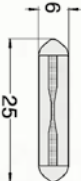
	REF	DESCRIPTION	TECHNICAL DETAILS
	152TA2701	Extractor	For DIN 72581 mini/medium fuse size
	107TA1636	Extractor	For DIN 72581 mini/medium fuse size
	152TA2702	Distributor cap	


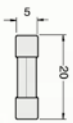
STANDARD: DIN 72581/MINI/FAST

		REF PER PIECE	REF PER 50 PCS	AMP
		152TA2636	152TA2642	3
		152TA2637	152TA2643	5
		152TA2638	152TA2644	10
		152TA2639	152TA2645	15
		152TA2640	152TA2646	20
		152TA2641	152TA2647	30

STANDARD: DIN 72581/MED/FAST				
		REF PER PIECE	REF PER 100 PCS	AMP
		152TA2653	152TA2659	3
		161TA5980	161TA5981	5
		152TA2655	152TA2661	10
		152TA2656	152TA2662	15
		152TA2657	152TA2663	20
		152TA2658	152TA2664	30


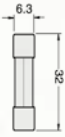
STANDARD: DIN 72581/MAXI/FAST				
		REF PER PIECE	REF PER 10 PCS	AMP
		152TA2670	152TA2677	20
		152TA2671	152TA2680	30
		152TA2672	152TA2682	40
		152TA2673	152TA2684	50
		152TA2674	152TA2688	60
		152TA2675	152TA2689	80

STANDARD: DIN 72581/1				
		REF PER PIECE	REF PER 100 PCS	AMP
		152TA2691	152TA2696	5
		152TA2692	152TA2697	8
		161TA5982	161TA5983	10
		152TA2694	152TA2699	16
		152TA2695	152TA2700	25


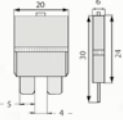
STANDARD: DIN 41661 / FAST				
		REF PER PIECE	REF PER 100 PCS	AMP
		152TA2648	152TA2651	5
		152TA2649	152TA2652	10
		152TA2650	127TA2193	20

ELECTRICAL PARTS

STANDARD: DIN 41668 / FAST

		REF PER PIECE	REF PER 100 PCS	AMP
		152TA2665	152TA2669	10
		152TA2666	127TA2236	15
		152TA2667	127TA2238	20
		152TA2668	127TA2240	30

AUTOMATIC THERMAL FUSES - STANDARD: MED / RESET / FAST



		REF	AMP
		123TA8306	5
		152TA2703	10
		152TA2704	15
		152TA2705	20
		152TA2706	30


UNIVERSAL TRAILER PLUGS



	REF	MATERIAL	DIN	ISO	TYPE	VOLT	POLE
	152TA2707	Synthetic	72576	1724	N	12	5
	152TA2708	Synthetic	72577	1724	N	12	7
	152TA2709	Synthetic	72579	1185	N	24	7
	152TA2710	Synthetic		3731	S	24	7
	152TA2711	Metal	72576	1724	N	12	5
	152TA2712	Metal	72577	1724	N	12	7
	152TA2713	Metal	72579	1185	N	24	7
	152TA2714	Metal		3731	S	24	7


UNIVERSAL TRAILER SOCKETS							
	REF	MATERIAL	DIN	ISO	TYPE	VOLT	POLE
	152TA2715	Synthetic	72576	1724	N	12	5
	152TA2716	Synthetic	72577	1724	N	12	7
	152TA2717	Synthetic	72577	1724	N With rear-fog light cut-off	12	7
	152TA2718	Synthetic		1724	Coupling socket	12	7
	152TA2719	Synthetic	72579	1185	N	24	7
	152TA2720	Synthetic		3731	S	24	7
	152TA2721	Metal	72576	1724	N	12	5
	152TA2722	Metal	72577	1724	N	12	7
	152TA2723	Metal	72577	1724	N With rear-fog light cut-off	12	7
	152TA2724	Metal	72579	72579	N	24	7
	152TA2725	Metal		3731	S	24	7

ELECTRICAL PARTS

UNIVERSAL TEST KITS FOR TRAILER SOCKET				
	REF	VOLT	POLE	TECHNICAL DETAILS
	152TA2726	12	7	1 test plug for testing the trailer wiring including the trailer lighting, battery included, 1 person
	152TA2727	12	13	1 test plug for testing the trailer wiring including the trailer lighting, battery included, 1 person

MICRO-ADAPTER PLUG			
	REF	VOLT	POLE
	152TA2728	12	From 13-pin plug to 7-pin plug

TRAILER CABLES		
	REF PER METER	TECHNICAL DETAILS
	152TA2729	7 x 1,5 mm ²
	152TA2730	6 x 1 mm ² + 1 x 2 mm ²

SPIRAL TRAILER CABLES					
	REF	CORES	DIA CABLE (mm)	DIA SPIRAL (mm)	LENGTH (mm)
	152TA2731	6 x 1 + 1 x 2,5 mm	10,5	60	3500
	152TA2732	6 x 1 + 1 x 2,5 mm	10,5	60	4500
	152TA2733	6 x 1 + 1 x 2,5 mm	10,5	40	3500
	152TA2734	6 x 1 + 1 x 2,5 mm	10,5	40	4500
	131TA8863	7 x 1,5 mm	10,5	60	3500
	131TA8864	6 x 1 + 1 x 1,5 mm	10,3	20	3000
	131TA8865	6 x 1 + 1 x 1,5 mm	10,3	20	3500
	131TA8866	6 x 1 + 1 x 1,5 mm	10,3	20	4000
	152TA2735	6 x 1 + 1 x 1,5 mm	10,3	20	4500











REMOTE CONTROL

Electrical parts

At TVH you can find several parts for the remote control used on the Merlo ROTO-range machines. These no longer have to be purchased complete, as we can offer you the housing separately if required. We can even supply the individual electrical switches, batteries ...

Used for all remote controls of the Merlo ROTO-range

REMOTE CONTROL FOR MERLO		
	REF	DESCRIPTION
	152TA2288	Housing only (without printed circuits and switches)
	152TA2295	Joystick
	152TA2289	Connector
	152TA2290	Battery
	152TA2291	Emergency switch
	152TA2292	Buzzer
	152TA2293	AUX switch
	152TA2294	Lock



A close-up, low-angle photograph of industrial machinery. The image shows several dark, heavy-duty metal components. In the foreground, a large, dark metal block is visible, with several silver-colored hexagonal nuts and bolts protruding from its surface. The background shows more of the machinery, including a large, dark metal structure with a curved edge. The lighting is dramatic, highlighting the textures and metallic surfaces.

SLIDING BLOCKS



TVH is your supplier for sliding blocks. Below you can find a selection from our range.

SLIDING BLOCKS						
	REF	LENGTH (mm)	WIDTH (mm)	THICKNESS (mm)	THREAD OR DRILLING SIZE	PITCH (mm)
	161TA6119	150	75	14,5	M10 x 1,5	80
	161TA6120	305	75	14,5	M10 x 1,5	225
	161TA6121	150	60	22	M12 x 1,75	75
	161TA6122	150	92,7	50		
	161TA6123	151	93	48		
	161TA6124	140	66	34		
	161TA6125	200	65	13	M12 x 1,75	80
	161TA6126	201	65,5	13	17	80
	161TA6127	200	65,5	13	M12 x 1,75	78

A close-up photograph of a gas spring mechanism. The image shows a vertical metal rod with a black cylindrical sleeve. To the right, a large, curved metal component is visible, possibly a piston or a valve. The background is a light, neutral color. A blue horizontal bar is overlaid at the bottom of the image, containing the text 'GAS SPRINGS' in white, bold, uppercase letters.

GAS SPRINGS

Our product range covers nearly all dimensions of gas springs.
 Below you can find a small selection. Ask your sales advisor for more references.

GAS SPRINGS					
	REF	FORCE (N)	CENTRE LENGTH (mm)	WORKING LENGTH (mm)	CONNECTIONS
	161TA6129	150	315	125	Type A
	161TA6131	300	245	80	Type A
	161TA6130	500	590	255	Type A
	161TA6133	700	450	185	Type D
	161TA6128	770	525	210	Type B
	161TA6132	1000	445	185	Type D



TYRES

We promise you an excellent price/quality ratio and always have more than 10 000 tyres in stock for various applications. As such, you can expect a short lead time. Ask for your free copy of our 'Tyres, rims & accessories' catalogue or order your own copy with **REF 24337660**.

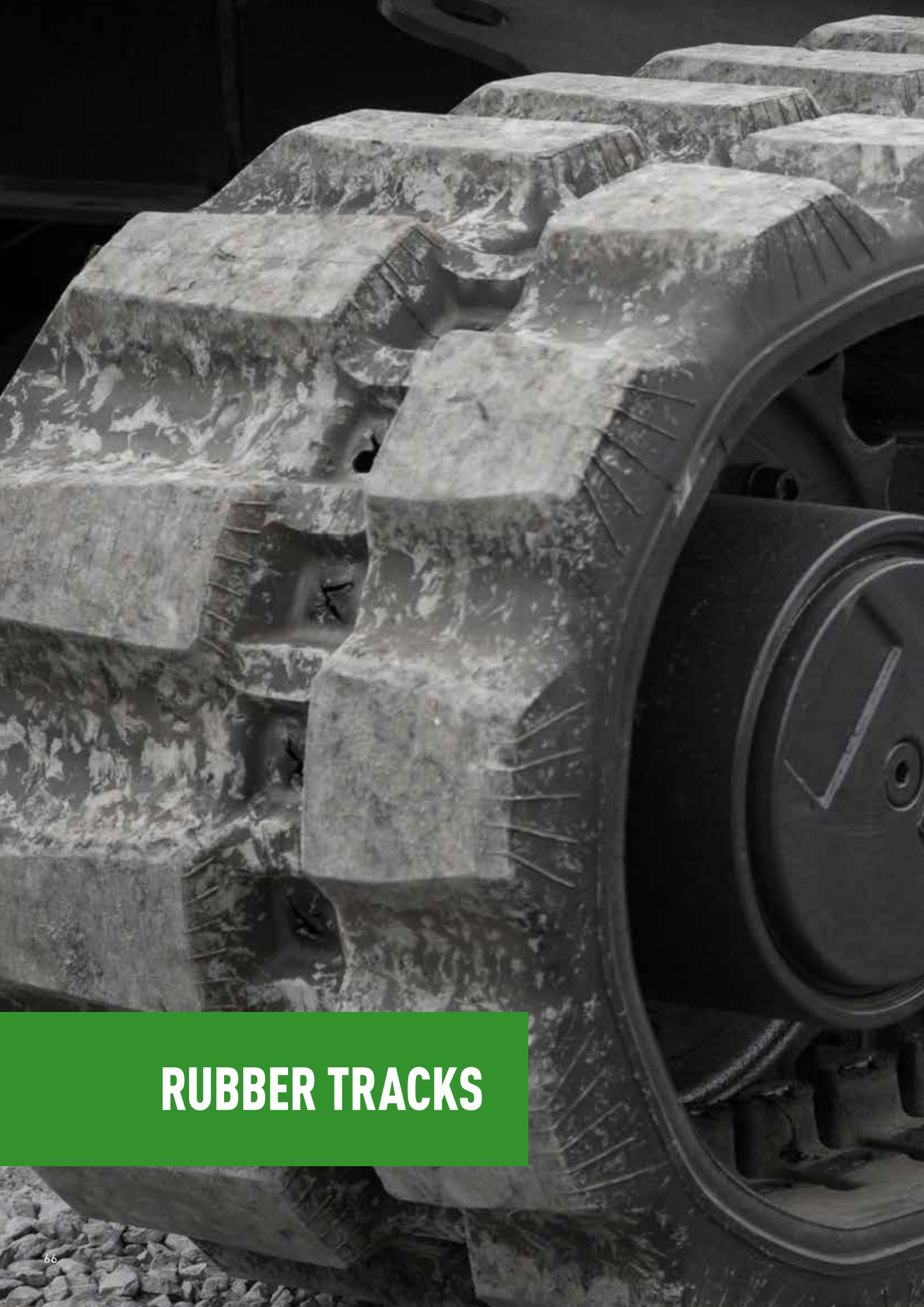


**Tyres, rims
& accessories catalogue**
REF 24337660



TYRES

REF	TYRE SIZE	PLY RATING	TREAD PATTERN	TYRE DIA (± 10 mm)	SECTION WIDTH (± 5 mm)	APPROX NETT WEIGHT (kg)	REMARKS
152TA1863	750x16	6	AGRI R1	805	205	19	TT - with tube
152TA1839	14,9x24	8	AGRI R1	1255	370	75	TT - with tube
152TA1840	13,6x24	8	AGRI R1	1200	335	59	TT - with tube
152TA1841	12,4x24	8	AGRI R1	1150	305	45	TT - with tube
152TA1842	11,2x24	8	AGRI R1	1090	275	37,5	TT - with tube
152TA1843	11,5/80x15,3	10	AGRI R1	855	280	27,5	TL - tubeless
152TA1844	10,0/75x15,3	10	AGRI R1	770	250	20	TL - tubeless
129TA7060	405/70x24	14	AGRI R1	1165	400	78	TL - tubeless
152TA1845	405/70x20	14	AGRI R1	1070	405	70	TL - tubeless
152TA1864	16/70x20	14	AGRI R1	1070	405	70	TL - tubeless
152TA1865	15,5/80x24	16	AGRI R1	1250	385	73	TL - tubeless
152TA1866	18x22,5	16	AGRI R1	1200	490	85	TL - tubeless
129TA7044	18x19,5	16	AGRI R1	1130	490	64	TL - tubeless
152TA1846	17,5x24	10	AGRI R4	1230	420	73	TL - tubeless
152TA1867	12,5x18	12	AGRI R4	1000	350	43	TL - tubeless
152TA1847	19,5x24	12	AGRI R4	1325	490	91	TL - tubeless
152TA1868	16,9x24	12	AGRI R4	1280	420	83	TL - tubeless
152TA1848	10,5/80x18	10	IMP3	910	270	31	TL - tubeless
152TA1849	10,5x20	10	IMP3	970	290	39	TL - tubeless
152TA1850	14,5x20	12	IMP3	1125	380	60	TL - tubeless
152TA1869	12,50x20	12	IMP3	1070	350	52	TL - tubeless
152TA1851	12,5/80x18	12	IMP3	990	340	42	TL - tubeless
152TA1852	23x8,5x12	6	SKS	555	215	10,5	TL - tubeless
152TA1853	27x8,5x15	6	SKS	655	215	14	TL - tubeless
152TA1854	10x16,5	8	SKS	780	260	22	TL - tubeless
152TA1855	27x10,5x15	8	SKS	655	265	16	TL - tubeless
152TA1856	31x15,5x15	8	SKS	780	390	37	TL - tubeless
152TA1857	570x12	8	SKS	560	140	7	TL - tubeless
152TA1870	10x16,5	10	SKS	780	260	22,5	TL - tubeless
152TA1871	12x16,5	10	SKS	830	310	27	TL - tubeless
152TA1872	12x16,5	12	SKS	830	310	27,5	TL - tubeless
152TA1858	240/55D17,5	12	SKS	710	240	24	TL - tubeless
152TA1859	14x17,5	14	SKS	920	365	54	TL - tubeless
129TA7029	15x19,5	14	SKS	990	390	70	TL - tubeless
126TA5934	18x625	16	SKS	1080	455	79	TL - tubeless
152TA1860	355/55D625	16	SKS	1015	355	50	TL - tubeless
152TA1861	445/55D19,5	16	SKS	1000	440	80	TL - tubeless
152TA1862	445/50D710	18	SKS	1155	440	96	TL - tubeless



RUBBER TRACKS

Staying on the right track is not always easy when working in extreme conditions. TVH guarantees durability and quality at a correct price. With more than 11 000 references in stock and more than 448 000 known references, we can offer a wide range of tracks and undercarriage parts.

TOTALSOURCE®



**Tracks & undercarriage
parts catalogue**
REF 28667085



We offer parts for different makes such as:

Bobcat · Case · Caterpillar · Daewoo · Doosan · Hitachi · JCB · Komatsu · Kubota · New Holland · Peljob · Schaeff · Takeuchi · Terex · Volvo · Wacker Neuson · Yanmar · ...

Tips for tracks:

- always replace your undercarriage parts as well when you replace the tracks
- store your tracks in a dry and dark environment
- cheap tracks can be lighter and contain inferior rubber, as a result of which they will wear much faster
- do not always blindly trust the cheapest price

Why order your tracks from TVH?

- wide range of tracks in stock
- the high quality of the TotalSource tracks of which the wear layer consists of quality natural rubber with a continuous inner steel belt without weld seam



Rubber tracks



Non-marking rubber tracks



Large rubber tracks



UNDERCARRIAGE PARTS

In addition to rubber tracks, we have a large range of undercarriage parts. We supply idlers, sprockets, top rollers and track roller for rubber tracks. Have a look in our **'Tracks & undercarriage parts'** catalogue to find out more about this range. You can order your copy with **REF 28667085**.



Tracks & undercarriage parts catalogue
REF 28667085





ATTACHMENTS & ACCESSORIES

Benefit from over 50 years of experience in design and production with CAM System® attachments. The full range of mechanical and hydraulic attachments is recognised for its high quality standards and reliability: sideshifters, (multi-)fork positioners, rotators, box rotators, bale clamps, forks, appliance clamps, concrete block clamps, push-pulls, grapple buckets ...

**Attachments & handling
equipment catalogue**
REF 29228025



HAY CLAMPS

REF	BALE DIA (mm)	NUMBER OF BALES	MAX CAPACITY (kg)	WEIGHT (kg)	TECHNICAL DETAILS
161TA5845	900-1300	1	1000	256	Compatible with Manitou
161TA5846	900-1300	1	1000	256	Compatible with JCB · With Q-fit system



FORKS

PIN-TYPE FORKS

REF	DIMENSIONS (mm)	INNER TUBE DIA (mm)	UNIT	TECHNICAL DETAILS
161TA5809	100 x 45 x 1200	52,0	Pair	Pin-type fork used for JCB
161TA5810	100 x 45 x 1067	52,0	Pair	Pin-type fork used for JCB
161TA5811	100 x 50 x 1200	58,0	Pair	Pin-type fork used for JCB
161TA5812	80 x 40 x 1067	45,0	Pair	Pin-type fork used for JCB
161TA5818	125 x 45 x 1200	51,0	Piece/sold per pair	Pin-type fork used for Manitou
161TA5816	125 x 50 x 1200	61,0	Piece/sold per pair	Pin-type fork used for Manitou
161TA5821	125 x 50 x 1200/610		Piece/sold per pair	Special suspension for use on Merlo
161TA5822	125 x 50 x 1200/560		Piece/sold per pair	Special suspension for use on Merlo

FEM STANDARD FORKS

REF	DIMENSIONS (mm)	CLASS	UNIT	TECHNICAL DETAILS
161TA5823	100 x 45 x 1000	FEM 2B	Piece/sold per pair	FEM fork used for Volvo L30-L25
161TA5824	125 x 45 x 1200	FEM 3B	Piece/sold per pair	FEM fork used for Volvo L35-L40
161TA5825	100 x 45 x 1200	FEM 2A	Piece/sold per pair	FEM fork used for Komatsu
161TA5826	100 x 40 x 1100	FEM 2A	Piece/sold per pair	FEM fork used for Manitou



**Maxi
Sweeper**

SWEEPER BRUSHES - MAXI SWEEPER		
REF	BRUSH MATERIAL	BRUSH WIDTH (mm)
161TA5847	Synthetic	1800
161TA5848	Synthetic	2000
141TA5217	Synthetic	2200
141TA5218	Synthetic	2400
141TA5219	Synthetic	2600
141TA5220	Synthetic	2800
141TA5221	Mixed synthetic/steel	1800
141TA5222	Mixed synthetic/steel	2000
141TA5223	Mixed synthetic/steel	2200
141TA5224	Mixed synthetic/steel	2400
141TA5225	Mixed synthetic/steel	2600
141TA5226	Mixed synthetic/steel	2800



ATTACHMENTS & ACCESSORIES



LAZY SWEEPER® BROOM



REF	MODEL	WIDTH (mm)	BRUSH ROWS	BRISTLE HEIGHT (mm)	WEIGHT (kg)
161TA5827	Lazy Sweeper® S	1220	5	20	200
161TA5828	Lazy Sweeper® M	1520	8	67	280
145TA8758	Lazy Sweeper® L	1830	11	109	280

MECHANICAL SCOOP


	REF	VOLUME (l)	WIDTH (mm)	HEIGHT (mm)	DEPTH (mm)
 	161TA5849	900	2200	800	1100

Also available: attack blades for scoops



YARD SCRAPERS

	REF	BLADE WIDTH (mm)	BLADE HEIGHT (mm)	BLADE THICKNESS (mm)	MIN FORK SPREAD BETWEEN FORKS (mm)	MAX FORK SECTION (mm)	WEIGHT (kg)
 	161TA5830	2000	400	35	635	170 x 45	90
	161TA5865	2650	400	35	635	170 x 45	130

SNOW PLOUGHS						
	REF	BLADE WIDTH (mm)	BLADE HEIGHT (mm)	BLADE THICKNESS (mm)	MAX FORK SECTION (mm)	WEIGHT (kg)
	161TA5830	1800	500	620	190 x 70	160
	161TA5831	1800	500	620	190 x 70	180
	161TA6943	2000	500	620	190 x 70	214
	161TA5833	2400	500	620	190 x 70	239



ROLL-FORWARD SKIPS							
	REF	VOLUME (l)	BUCKET WIDTH (mm)	BUCKET HEIGHT (mm)	BUCKET DEPTH (mm)	NUMBER OF TEETH	WEIGHT (kg)
	141TA6733	600	1800	650	850	7	475
	141TA6734	665	2000	650	850	8	515
	141TA6735	730	2200	650	850	8	550
	141TA6736	795	2400	650	850	9	600

- Ideal grapple tine design
- With 150 x 20 mm boron wear strip
- Equipped with very heavy cylinders attached to upper claw
- Complete with hydraulic hoses and quick connectors

CARRIAGES					
	REF	ISO 2328	CAPACITY (kg)	WIDTH (mm)	WEIGHT (kg)
	141TA6737	FEM 2	2500	1200	146
	141TA6738	FEM 3	3500	1260	103

ATTACHMENTS & ACCESSORIES

CARRIAGES

	REF	ISO 2328	CAPACITY (kg)	WIDTH (mm)	WEIGHT (kg)
 	141TA6739	FEM 3	4500	1200	200

CARRIAGE FOR MANITOU WITH PIN-TYPE FORKS*

	REF	WIDTH (mm)	FORK DIMENSIONS (mm)	FORK CAPACITY (kg/mm)
 	163TA8492	1100	125 x 45 x 1200	1200

*With load back rest



ROLL-FORWARD SKIPS

REF WITHOUT WHEELS	REF WITH NYLON WHEELS	REF WITH RUBBER WHEELS	DIMENSIONS (mm)	VOLUME (l)	WEIGHT (kg)	MAX FORK SECTION (mm)	MIN DISTANCE BETWEEN FORKS (mm)	CAPACITY (kg)
161TA5834	141TA7295	141TA7296	1400 x 800 x 764	300	75	230 x 95	160	1500
161TA5835	140TA2204	140TA2209	1525 x 855 x 870	600	111	230 x 95	160	1500
161TA5836	140TA2205	140TA2210	1525 x 1215 x 870	900	128	230 x 95	160	1500
161TA5837	140TA2206	140TA2211	1490 x 1620 x 870	1100	154	230 x 95	160	1500
161TA5838	140TA2207	140TA2212	2110 x 1190 x 1248	1600	269	230 x 95	510	1500
161TA5839*	140TA2208*	140TA2213*	2150 x 1410 x 1270	2000	296	230 x 95	510	1500
161TA5841*	141TA5264*	141TA5265*	1525 x 855 x 870	600	111	230 x 95	160	1500
161TA5842*	141TA5267*	141TA5268*	1525 x 1215 x 870	900	128	230 x 95	160	1500

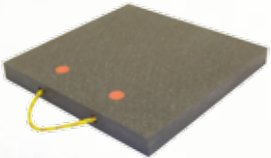

* Stainless steel





BOX ROTATORS



REF	CAPACITY (kg/mm)	CARRIAGE WIDTH (mm)	LL (mm)	CG (mm)	WEIGHT (kg)	ISO 2328
142TA1023	2500/500	1000	160	144	265	2
161TA5844	3500/500	1200	170	146	345	3


STABILISER PLATES


	REF	DIMENSIONS (mm)	CAPACITY/PLATE (kg)	WEIGHT (kg)
	161TA5850	400 x 400 x 40	10 000	6
	161TA5851	400 x 400 x 60	12 000	9
	161TA5852	500 x 500 x 40	15 000	10
	161TA5853	500 x 500 x 50	15 000	12
	161TA5854	500 x 500 x 60	20 000	14
	161TA5855	600 x 600 x 40	20 000	14
	161TA5856	600 x 600 x 60	25 000	21
	161TA5857	800 x 800 x 40	25 000	25
	161TA5858	800 x 800 x 50	30 000	32
	161TA5859	800 x 800 x 60	35 000	37

ATTACHMENTS & ACCESSORIES

HOLDERS FOR STABILISER PLATES				
	REF	DESCRIPTION	DIMENSIONS (mm)	PLATE THICKNESS (mm)
	138TA8154	1 plate	400 x 400	40 / 50
	138TA8155		500 x 500	40 / 50 / 60
	138TA8156		600 x 600	40 / 50 / 60
	138TA8157	2 plates	400 x 400	40 / 50 / 60
	138TA8158		500 x 500	40 / 50 / 60
	138TA8159		600 x 600	40 / 50 / 60

GROUND SUPPORT PLATES						
	REF	LENGTH (mm)	WIDTH (mm)	THICKNESS (mm)	WEIGHT (kg)	CAPACITY/PLATE (kg)
	161TA5860	2000	1000	15	30	50 000
	161TA5861	2000	1000	20	40	50 000
	161TA5862	3000	1000	15	45	50 000
	161TA5863	3000	1000	20	60	50 000

STORAGE RACK FOR GROUND SUPPORT PLATES				
	REF	LENGTH (mm)	WIDTH (mm)	STACK HEIGHT (mm)
	138TA8304	2000	1000	435
	161TA5864	3000	1000	435

GROUND SUPPORT PLATE CONNECTORS					
	REF	HEIGHT MIN (mm)	HEIGHT MAX (mm)	LOAD CAPACITY (t)	WEIGHT (kg)
	127TA2465	240	420	14	0,5



CONSUMABLES & ACCESSORIES



TVH is your one-stop shop for all maintenance and repair products such as safety products and accessories, clothes, consumables, measuring devices, hand and power tools, workshop and warehouse accessories, outdoor equipment and lifting accessories.

No need to go shopping elsewhere, at TVH you can order your consumables and accessories in one go with your other parts. It's that easy!

Check out our catalogue 'Consumables & accessories' on www.tvh.com or order your copy with REF 21713862.





PAINT & ACCESSORIES

Consumables & accessories

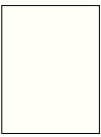

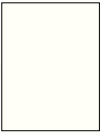









TVH offers quality paint for all types of machines: from lift trucks, telehandlers and aerial work platforms to cleaning equipment. The paint is high-grade, synthetic, single-component industrial lacquer that offers a very good opacity and dries quickly. Furthermore our paint tins are equipped with a plastic locking ring that is pressed over the lid, so that the tin can never open during transport. Discover the complete range in the **'Paint & accessories'** catalogue with **REF 26501928**.

PAINT									
	REF	USED FOR	COLOUR	VOLUME		REF	USED FOR	COLOUR	VOLUME
	152TA2360	Ausa	Orange	2,5 l can		136TA1262	Haulotte	Grey	400 ml spray
	152TA2361	Ausa	Orange	400 ml spray		152TA2381	Haulotte	Grey	2,5 l can
	141TA7735	Ausa	Grey	2,5 l can		136TA1263	Haulotte	Grey	400 ml spray
	152TA2362	Ausa	Grey	400 ml spray		152TA2382	JCB	Yellow	2,5 l can
	152TA2363	Bobcat	White	2,5 l can		152TA2383	JCB	Yellow	400 ml spray
	107TA7403	Bobcat	White	400 ml spray		152TA2384	JLG	Orange	2,5 l can
	152TA2365	Bobcat	Black (satin)	2,5 l can		126TA5945	JLG	Orange	400 ml spray
	152TA2366	Bobcat	Black (satin)	400 ml spray		152TA2386	JLG	Beige	2,5 l can
	152TA2367	Bobcat	Red	2,5 l can		152TA2387	JLG	Beige	400 ml spray
	152TA2368	Bobcat	Red	400 ml spray		152TA2388	JLG	Grey	2,5 l can

PAINT									
	REF	USED FOR	COLOUR	VOLUME		REF	USED FOR	COLOUR	VOLUME
	152TA2369	Dieci	Yellow	2,5 l can		152TA2389	JLG	Grey	400 ml spray
	152TA2370	Dieci	Yellow	400 ml spray		152TA2390	Manitou	Beige	2,5 l can
	152TA2359	Dieci	Grey (tar-paulin)	2,5 l can		152TA2391	Manitou	Beige	400 ml spray
	152TA2371	Genie	Blue	2,5 l can		152TA2392	Manitou	Brown (since 1998)	2,5 l can
	128TA3430	Genie	Blue	400 ml spray		136TA2969	Manitou	Brown (since 1998)	400 ml spray
	152TA2373	Genie	Grey	2,5 l can		152TA2393	Manitou	Red	2,5 l can
	128TA3431	Genie	Grey	400 ml spray		136TA2962	Manitou	Red	400 ml spray
	122TA8932	Haulotte	Yellow	2,5 l can		152TA2394	Manitou	Brown (manisopic)	2,5 l can
	136TA1259	Haulotte	Yellow	400 ml spray		152TA2395	Manitou	Grey (metallic)	2,5 l can

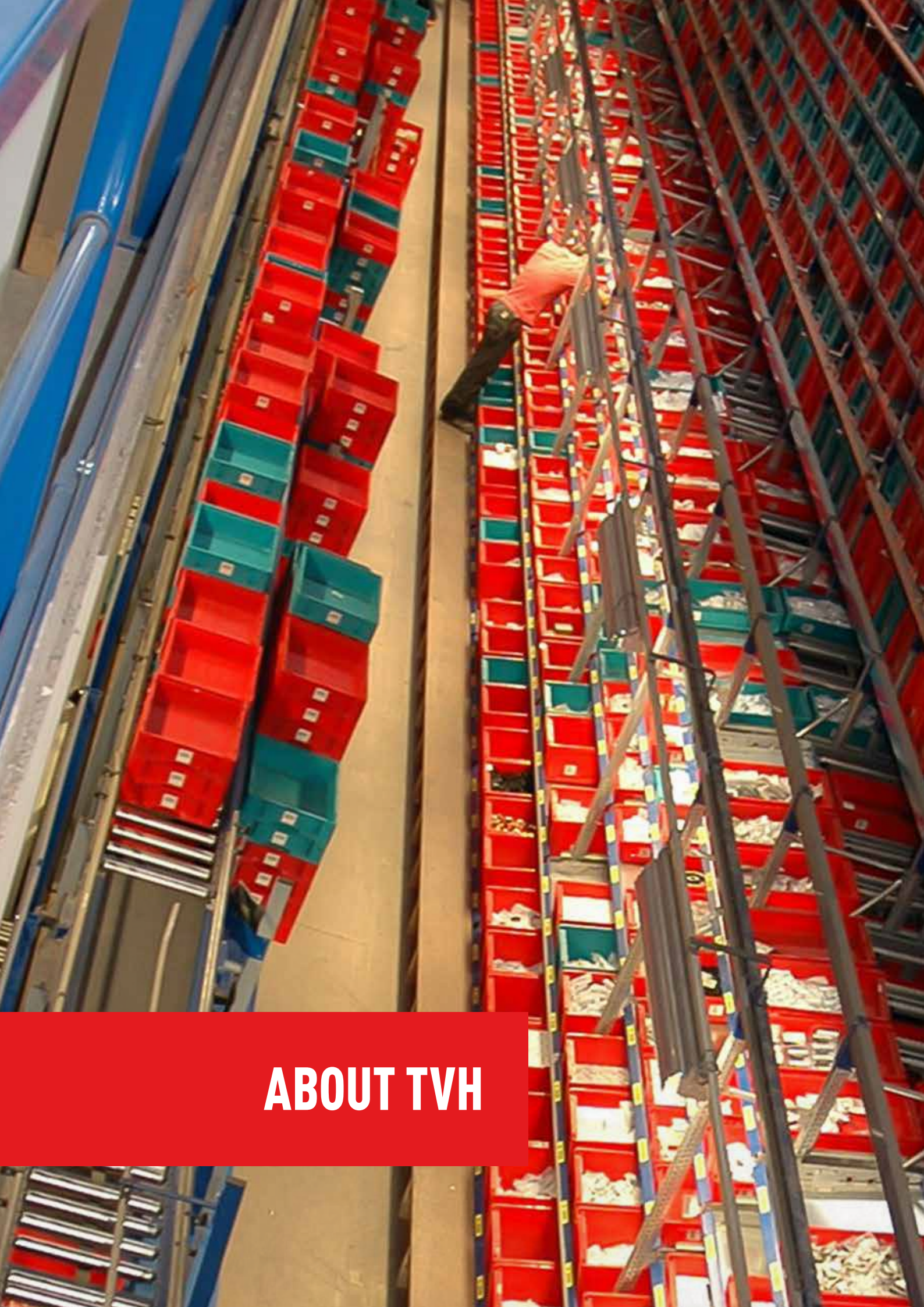
PAINT & ACCESSORIES

Consumables & accessories

PAINT									
	REF	USED FOR	COLOUR	VOLUME		REF	USED FOR	COLOUR	VOLUME
	152TA2376	Haulotte	White	2,5 l can		136TA2970	Manitou	Grey (metallic)	400 ml spray
	136TA1258	Haulotte	White	400 ml spray		144TA9621	Manitou	Yellow	2,5 l can
	152TA2378	Haulotte	Black (satin)	2,5 l can		152TA2396	Manitou	Yellow	400 ml spray
	136TA1260	Haulotte	Black (satin)	400 ml spray		152TA2397	Merlo	Green	2,5 l can
	136TA2994	Haulotte	Red	2,5 l can		144TA9648	Volvo	Yellow	2,5 l can
	136TA1261	Haulotte	Red	400 ml spray		144TA9456	Volvo	Grey (dark)	2,5 l can
	152TA2380	Haulotte	Grey	2,5 l can		144TA9657	Volvo	Grey (dark)	400 ml spray

Your parts can be painted in a colour you desire. Ask your contact person for more information.

ACCESSORIES		
	REF	DESCRIPTION
	152TA2356	Synthetic thinner - 5 l
	152TA2357	Hardener - 0,5 l
	152TA2358	Spraymaster for 400 or 500 ml spray cans



ABOUT TVH

ALL PARTS, ALL MAKES

TVH PARTS



Computer-controlled stock management
> 500 000 m² of warehousing



Technically-skilled employees
Assistance in 32 languages
33 nationalities



One-stop shop
> 600 000 stock items



52 parts branches worldwide
Happy customers in over 170 countries
Same-day shipment, next-day delivery



Webshop & online support
> 21 000 000 known references





**HOW CAN WE
HELP YOU?**

QUALITY IS OUR PRIORITY

Is quality also a priority in your business? Rely on TVH as your partner.

In-depth product knowledge and specific testing equipment allows us to continuously improve processes and quality standards.

WHAT CAN YOU EXPECT MORE?

Our offer of **reconditioned parts** is unique in the market. Our technicians follow the strictest quality procedures to finalise the reconditioning. The parts are placed in stock after extensive testing.

We also repair **electronic parts** in our high-tech electronic department. Our range includes printed circuit boards, electronic speed controllers, displays, chargers, contactors, joysticks, accelerators and directional switches.



STRONG BRANDS, GUARANTEED QUALITY

Reliable products and services contribute to the day-to-day success of your company. That's why we choose top quality brands for our maintenance, repair and operation products, just like you do.

In addition to those, our strong house brands guarantee an excellent range and quality standard for our mechanical and hydraulic attachments, internal transport equipment, battery chargers and accessories.

TOTALSOURCE

cam
system
LIFT TRUCK ATTACHMENTS

TOTALLIFTER

ENERGIC Plus

Climax

FARO

TVH BAY

Discover our outlet store with new and second-hand products at rock-bottom prices.

Go to www.tvh.com/tvhbay



**HOW CAN WE
HELP YOU?**

AIR CONDITIONING
special

CATALOGUES

Our catalogues give you information about the product groups, brands and makes in our range. The extensive and detailed information contains general product info, pictures, dimensions.

- REF 21713862 Consumables & accessories
- REF 29228025 Attachments & handling equipment
- REF 25564923 Batteries, chargers & accessories
- REF 20177702 Brushes
- REF 21497415 Bulbs
- REF 15282597 Chains & accessories
- REF 10185471 Contactors & contacts
- REF 21178582 Electronic accessories
- REF 31072159 Energic plus
- REF 20177485 Engine parts
- REF 10727802 Exhaust systems
- REF 33113100 Fluke
- REF 20177906 Fuses & fuse holders
- REF 29127398 Grammer seats
- REF 31331437 Hydraulic parts
- REF 19949421 Key switches
- REF 12594102 Labels & decals
- REF 22802499 LPG system parts
- REF 7872482 Mast rollers
- REF 26501928 Paint & accessories
- REF 31072162 Pallet truck parts
- REF 7835233 Potentiometers & encoders
- REF 7083552 Relays
- REF 12726578 Replacement parts for Genie
- REF 15069637 Replacement parts for Haulotte
- REF 12613028 Replacement parts for JLG
- REF 20769251 Replacement parts for scrubbers & sweepers
- REF 24154086 Replacement parts for tail lifts
- REF 27506014 Seats & accessories
- REF 6252659 Starters & alternators
- REF 28667085 Tracks & undercarriage parts
- REF 24337660 Tyres, rims & accessories
- REF 7072186 Wheel brake & master cylinders
- REF 31072155 Wheels, rollers & castors
- Range of filters available in MyProductSearch & MyPartsFinder



PRODUCT SPECIALS

We gladly keep you informed of our extensive product range. In addition to our catalogues we present you our 'product specials': useful brochures that will guide you within specific product categories.

- REF 31346611 Air conditioning
- REF 14372877 Document & accessories holders
- REF 21735662 Drum handling & accessories
- REF 31642339 Electronic accessories
- REF 22835159 Force professional tools
- REF 31642343 Forks & accessories
- REF 21713854 Hydraulic power units
- REF 18178749 Jacks & supports
- REF 22775197 LED lights
- REF 21841408 Lubrication & accessories
- REF 20778928 Mirrors
- REF 17868205 Press special
- REF 31773321 Safety
- REF 28975226 Safety equipment for aerial work platforms
- REF 20963014 Skips, scoops & crane jibs
- REF 31243152 Summertime products
- REF 19550195 Twistlocks
- REF 28809094 Winter products



Visit our webshop whenever and wherever you want!
Request your login details now and benefit from the many advantages offered by MyTotalSource!

For any questions, call or mail our help desk for free support:

T +32 56 43 48 66 · ecommerce@tvh.com



You have machine or equipment details?
Use MyPartsFinder to find the spare part you need.



You have the technical details or specifications of a part?
Use MyProductSearch to find the spare part you need.



**HOW CAN WE
HELP YOU?**

SECOND-HAND EQUIPMENT & ELECTRIC WAREHOUSING

TVHEQUIPMENT



- 600 lift trucks in stock
- 300 aerial work platforms
- Telehandlers and all-terrain trucks
- Masts and attachments

Find a daily updated stock list on our search engine




myequipmentfinder.tvh.com





WORLDWIDE PRESENCE



-  **TVH PARTS**
-  **BEPCO**
-  **TVH EQUIPMENT**

AUSTRALIA
TVH AUSTRALASIA PTY LTD
 Dandenong South (Melbourne, Victoria) -
 Richards (Brisbane, Queensland) -
 Wetherill Park (Sydney, New South Wales) -
 Wingfield (Adelaide, South Australia)

BELGIUM
TVH EQUIPMENT NV
 Antwerpen - Maastricht - Nivelles - Sint-Niklaas -
 Vilvoorde (Brussels) - Waregem
CC HEFRUCKS BVBA
 Nieuwkerken (Aalst)
TVH PARTS NV
 Waregem
TVH GROUP NV
 Waregem
BEPCO PARTS SA
 Hemaria - Villers-le-Bouillet
HDW BELUX NV
 Waere

BRASIL
TVH DINAMICA PECAS LTDA
 Vinhedo

BULGARIA
TVH BULGARIA LTD
 Petrich

CANADA
TVH CANADA LTD
 Mississauga (Ontario) - Port Coquitlam (British Columbia)

CHINA
TVH TRADING (SHANGHAI) CO, LTD
 Shanghai - Tianjin

CZECH REPUBLIC
STATECH SRO
 Brno - Dolni Bechovice - Ostrava - Pizen - Praha

FRANCE
TVH FRANCE SASU
 Wattrelos
FRANCE HAYON GROUPE
 Châteaubourg
BEPCO FRANCE SAS
 Agen - Janzé - Villeneuve-sur-Lot

GERMANY
BEPCO DEUTSCHLAND GMBH
 Bad Sassenhof
MATECO GMBH
 Berlin-Mitte - Berlin-Nord - Berlin-Süd - Bielefeld -
 Bremen - Essen - Frankfurt - Göttingen - Halle - Hamburg -
 Hannover - Heilbronn - Karlsruhe - Kassel - Köln -
 Krefeld - Leipzig - Mainz - Mannheim - München - Nürnberg -
 Ravensburg - Reutlingen - Rostock - Saarbrücken -
 Stuttgart - Ulm - Wolfsburg - Wuppertal

HUNGARY
GEPBER
 Budapest - Debrecen - Győr

INDIA
TVH INDIA PTE LTD
 Pune

ITALY
TVH ITALIA SRL
 Marano Ticino (Novara) - Torino
CAM SRL
 Marano Ticino (Novara)

LUXEMBOURG
GUNCO INVEST SARL
 Luxembourg
MATECO SARL
 Luxembourg

MALAYSIA
TVH MALAYSIA SDN BHD
 Johor Bahru - Penang - Shah Alam (Kuala Lumpur)
AERIAL LIFT & EQUIPMENT SDN BHD
 Kuala Lumpur

MEXICO
TVH MEXICO, S DE RL DE CV
 Cuauhtlém (Mexico City) - Monterrey
SEGAMAC
 Santa Catarina Nuevo León

NETHERLANDS
GUNCO BV
 Amsterdam - Goes - Rotterdam - Sittard - Veghel - Zwielle
HDW NEDERLAND BV
 Ridderkerk
BEPCO NEDERLAND BV
 Heeswijk-Dinther

NEW ZEALAND
TVH NEW ZEALAND LTD
 Christchurch - East Tamaki (Auckland)

POLAND
TVH POLSKA SP ZOO
 Tychy
MATECO
 Breslau - Gdansk - Łódź - Poznań - Rzeszów - Tychy -
 Warszawa

ROMANIA
ROMLIFT
 Bucuresti - Iasi - Oradea - Secuiesc - Ploiesti -
 Târgu Mures

RUSSIA
TVH RUS LLC
 Dubrovka (Moscow)

SINGAPORE
TVH SINGAPORE PTE LTD
 Jurong

SLOVAKIA
STATECH SLOVAKIA SRO
 Bratislava - Slac

SOUTH AFRICA
TVH PARTS SOUTH AFRICA LTD
 Birkdane (Durban) - Isando (Johannesburg) -
 Korsten (Port Elizabeth) - Kraalfontein (Cape Town) - Lichtenburg

SPAIN
BEPCO IBERICA SA
 Almerndrigo (Badajoz) - Badalona (Barcelona) -
 Dos Hermanas (Sevilla) - Santiago De Compostela (A Coruña)
VAMASA TECNIAL
 Valencia

SWEDEN
TVH NORDIC AB
 Ed

TURKEY
TVH YEDEK PARCA TICARET AS
 Başakşehir (Istanbul, European) - Tuzla (Istanbul, Asian)

UNITED ARAB EMIRATES
TVH MIDDLE EAST FZE
 Sharjah

UNITED KINGDOM
TVH UK LTD
 Coventry
BEPCO UK LTD
 Hartlebury (Worcestershire)
RENTACLAMP LTD
 Coventry

USA
TVH PARTS CO
 Duncan (South Carolina) - Fresno (California) - Grayslake (Illinois) -
 Harrisburg (Pennsylvania) - Miami (Florida) - Mira Loma (California) -
 Olathe (Kansas) - Shreveport (Louisiana)
C-TECH
 West Chester Township (Ohio)
SUPERIOR SIGNALS, INC
 Olathe (Kansas)

SALES REPRESENTATION IN THE FOLLOWING COUNTRIES:

Albania, Algeria, Austria, Bahrain, Belarus, Benin, Bosnia, Botswana, Bulgaria, Canary Islands, Croatia, Cyprus, Denmark, Djibouti, Egypt, Estonia, Finland, Ghana, Greece, Hong Kong, Iceland, Ireland, Kosovo, Kuwait, Latvia, Lesotho, Libya, Lithuania, Macedonia, Malawi, Malta, Morocco, Mauritania, Moldova Republic, Montenegro, Mozambique, Namibia, Nigeria, Norway, Oman, Pakistan, Portugal, Qatar, Saudi Arabia, Serbia, Slovenia, Swaziland, Switzerland, Taiwan, Togo, Tunisia, Ukraine, Yemen, Zambia, Zimbabwe.

TVH.PARTS

TVH.EQUIPMENT





HISTORY



In 1969 Paul Thermote & Paul Vanhalst began servicing and selling agricultural machinery, construction machinery and forklift trucks. Today, TVH is one of the most respected names in the material handling industry. Over the past 45 years we have grown from 2 founders to more than 4800 employees with offices and distribution facilities on every continent.

We are committed to being the worldwide leading supplier of quality parts and accessories for the material handling, industrial and agricultural equipment industry. While we take pride in our quality products, we know that without our customers, we would not exist. We are continually striving to increase our product range and to improve our services in order to be the true one-stop shop for our valued customers.

Everything we do at TVH revolves around our commitment to our customers. From our awareness of the customer's needs, to our product offer and pricing; from our shipping and delivery methods to our training and support, customers are always the focus. They are the heart of our organisation.



WWW.TVH.COM/TELEHANDLERS
WWW.TVH.COM/SMALLEARTHMOVING

Any part, any make, anywhere



TVH PARTS NV
Brabantstraat 15 · 8790 Waregem · Belgium
T +32 56 43 42 11 · F +32 56 43 44 88 · info@tvh.com · www.tvh.com

TVH PARTS